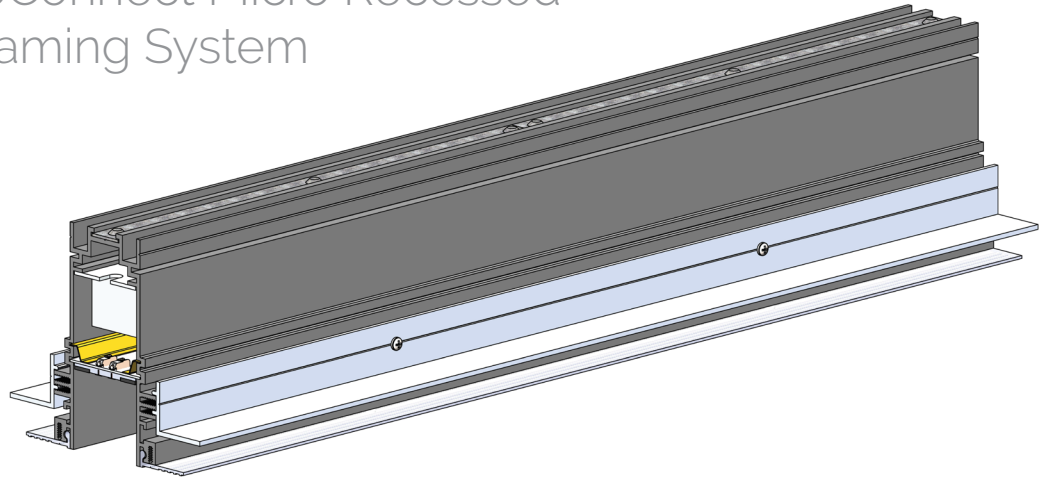
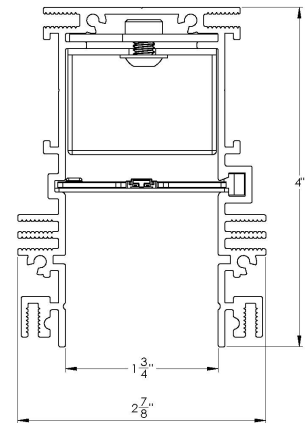


MagneConnect MiR

MagneConnect Micro Recessed Slot Framing System

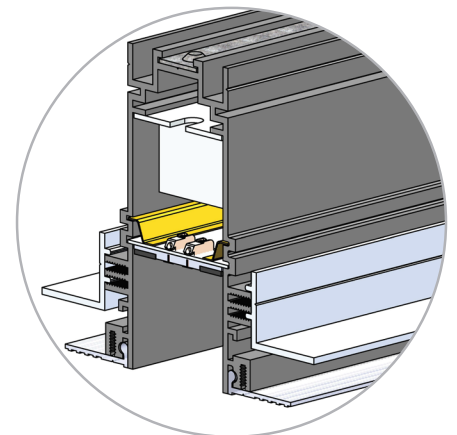


MagneConnect is a revolutionary all-in-one slot framing system. Express your creativity by dynamically repositioning every light fixture to create your individual lighting design.



FEATURES

- Choice of minimal trim, mud-in flange, or overlap trims, and cover profiles for custom appearances
- Standard and customizable lengths available: field cuttable in 6" sections
- Efficient constant current compatible lighting modules include: downlights, luminous bands, wall washers, adjustable spot lights, and pendants
- 24V Accessories available for use with cameras, daylight harvesting, occupancy sensors, and HVAC controls



MC MiR

ORDERING

MC MiR				
SLOT LENGTH	PRODUCT	TRIM	CONTROL	OPTIONS
Please specify run length	MAGNECONNECT Micro Recessed Slot Framing	F Flush Mount / Mud Flange for Gypsum Ceiling ¹ O Overlap Flange Trim ¹ Standard	D 1% 0 - 10V A Dali X DMX B BMS T Bluetooth BME E Enoclean	2 2 Circuit A/C EM Emergency Circuit SD 347V Step Down Transformer (remote)

CONSTRUCTION

- Extruded aluminum track sections
- Power track includes magnetic power modules with 12 gauge through wiring
- Plug & play connection
- Suitable for 1/2" and 5/8" Sheetrock

ELECTRICAL

- Magnetic power modules 24V Class 2 constant voltage
- 96" power track 4a, 96W; 48" power track 2A 50W; Corner and Tee tracks 2A 50W max
- Must be ordered with specified dimming drivers Includes A/C & dim wiring with modular connector
- 120V - 277 auto sense
- Utility track is through wired
- Termination kits are unpowered

LEDS

- Constant current LED lighting fixtures attach and powered via magnetic bus system (fixtures specified separately)

COMPLIANCE

- ETL listed for dry and damp locations pending
- CSA compliant

PERFORMANCE

- Safe, Class 2 24V constant voltage extruded aluminum recessed slot framing system for ceiling and wall applications
- HVAC return air compatible
- Field adjustable for 1/2" or 5/8" sheet rock

LENGTHS AND MOUNTING

- 2" wide opening x 4 1/2" high nominal recess depth
- 48" & 96" straight fixed length, all corners appropriate for wall or ceiling use
- 48" field cuttable sections are trimmable in 6" increments
- Mud flange included in all flush mount, standard packages, screws onto main extrusion
- Overlap trim kits sold in 40' kits, field trimmable to minimize joint

FINISHES

- Flush mount / mud trim is unfinished standard
- Choice of Overlap trim available in white, black, and brushed stainless finishes

OPTIONS

- 2 Circuit A/C
- Emergency Driver & Emergency Circuit options
- 347V Step Down Driver

WARRANTY

- 3-year limited warranty.
- Complete warranty terms available at ElectrixIllumination.com

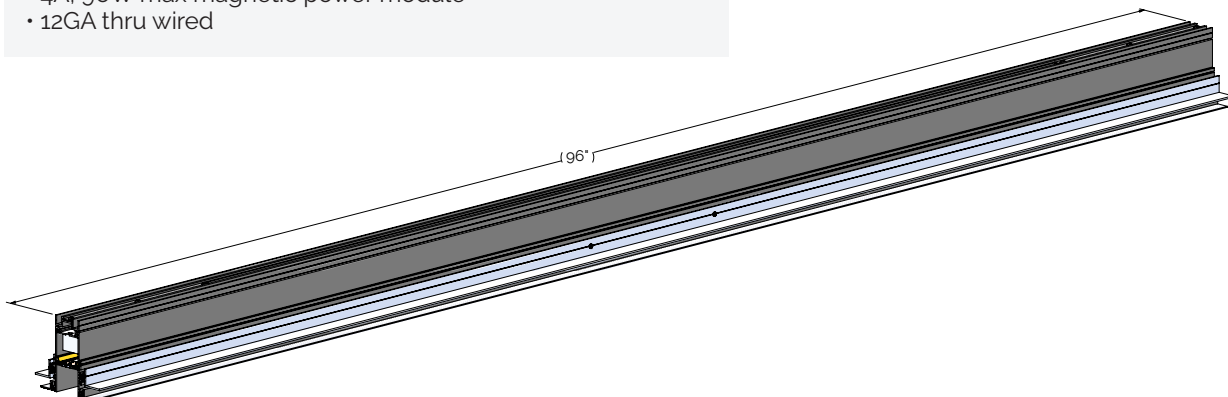
MAGNECONNECT TRACK COMPONENTS

STRAIGHT POWER TRACK

STRAIGHT POWER TRACK, 96" FIXED LENGTH

- Wall or Ceiling use
- Splice Kit included
- 4A, 96W max magnetic power module
- 12GA thru wired

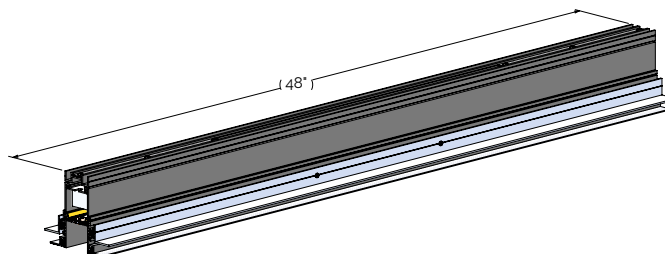
MC-MiR-PT96



STRAIGHT POWER TRACK, 48" FIXED LENGTH

- Wall or Ceiling use
- Splice Kit included
- 2A, 50W max magnetic power module
- 12GA thru wired

MC-MiR-PT48



STRAIGHT POWER TRACK, 48" FIELD CUTTABLE IN 6" INCREMENTS

- Wall or Ceiling use
- Splice Kit included
- 2A, 50W max magnetic power module
- 12GA thru wired

MC-MiR-PT48T

MC MiR

MAGNECONNECT TRACK COMPONENTS

CORNER POWER TRACKS

90° CORNER POWER TRACK

24" x 24" fixed length MC-MiR-PC96

- Wall or Ceiling use
- Splice kit included
- 2A, 50W magnetic power module
- 12 GA thru wired

45° CORNER POWER TRACK

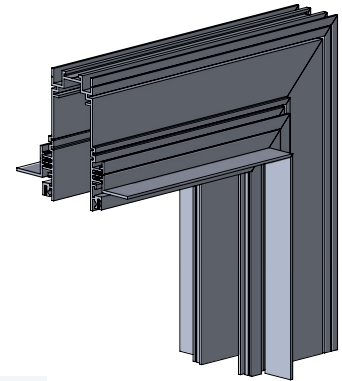
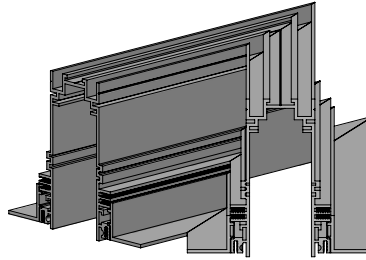
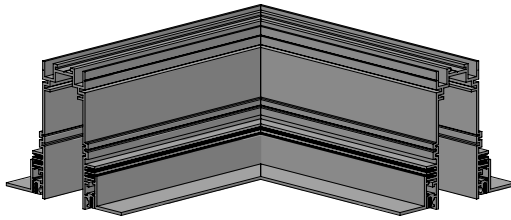
24" x 24" fixed length MC-MiR-C45

- Left or Right
- Wall or Ceiling use
- Splice kit included
- 2A, 50W magnetic power module
- 12 GA thru wired

90° INSIDE CORNER

24" x 24" fixed length MC-MiR-PIC

- Joins Wall and Ceiling or Inside Corner for Wall
- Splice kit included
- 2A, 50W power module
- 12 GA thru wired



TEE POWER TRACK

MC-MiR-PTEE

12" x 12" x 12" fixed length

- Left or Right
- Wall or Ceiling use
- Splice kit included
- 90 x 90°
- 2A, 50W magnetic power module
- 12 GA thru wired

90° OUTSIDE CORNER

MC-MiR-POC

24" x 24" fixed length

- Outside corner to wrap around wall
- Splice kit included
- 2A, 50W power module
- 12 GA thru wired

RADIUS CORNER POWER TRACK

24" x 24" fixed length 90° MC-MiR-PRC90

- Left or Right
- Wall or Ceiling use
- Splice kit included
- 2A, 50W magnetic power module
- 12 GA thru wired

RADIUS CORNER POWER TRACK

24" x 24" fixed length 45° MC-MiR-PRC45

- Left or Right
- Wall or Ceiling use
- Splice kit included
- 2A, 50W magnetic power module
- 12 GA thru wired

CONTROL INTEGRATION & OPTIONS

DIMMABLE

Multiple control protocols, DALI, DMX, 0-10V, BMS, Bluetooth BLE, Enocean

BAC-NET COMPATIBLE

DAYLIGHT SENSOR MODULE

24v, magnetic power couple & attachment

OCCUPANCY/VACANCY SENSOR MODULE

24v, magnetic power couple & attachment

AVAILABLE WIRELESS CONTROL OPTIONS

SYSTEM OPTIONS

2 CIRCUIT A/C

EM CIRCUIT

347V STEP DOWN TRANSFORMER
(remote)

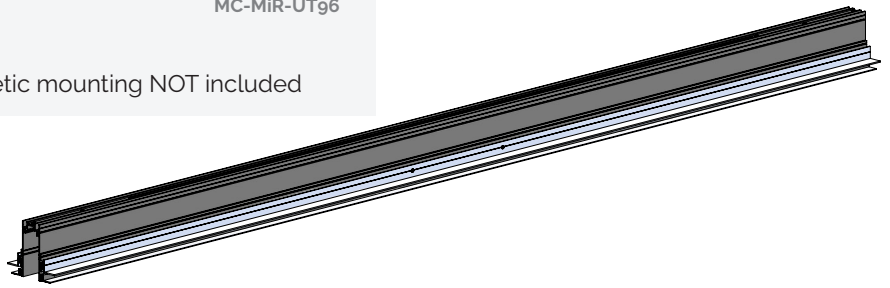
UTILITY TRACK

Aluminum Housing for non-lighting utility use
Flush minimal trim & mud flange for gypsum ceiling included as standard;
Utility Track only (cover plates & HVAC accessories ordered separately)

STRAIGHT UTILITY TRACK, 96" FIXED LENGTH

- Wall or Ceiling use
 - Splice Kit included
 - 12GA thru wired
- Power modules and magnetic mounting NOT included

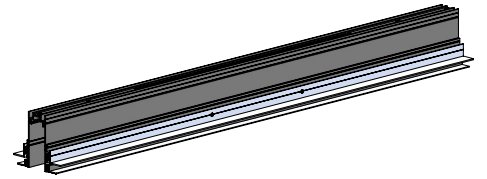
MC-MiR-UT96



STRAIGHT UTILITY TRACK, 48" FIXED LENGTH

- Wall or Ceiling use
 - Splice Kit included
 - 12GA thru wired
- Power modules and magnetic mounting NOT included

MC-MiR-UT48



COVER PLATES

Decorative cover plates of various sizes and finishes available and specified separately.

TRACK ACCESSORIES

HVAC/DIFFUSER RETURN KIT MC-MiR-UT-HVAC

TERMINATION PLATE MC-MiR-TP

TERMINATION UNIT MC-MiR-TU
6" fixed length, no power module
(slaved to adjacent power track)

OVERLAP FLANGE TRIM
40' kit, field cut to minimize joint

MiR
MC

MAGNECONNECT COMPATIBLE FIXTURES

Constant Current Magnetic LED Luminaires
Specified Separately

RECESSED DOWNLIGHTS

MCMi-RD

Low Voltage, Magnetic Power Couple & Attachment
Aimable

- Fixed color (2700, 3000, 3500 and 4000K)
- Dynamic white
- Narrow, medium and wide beam options

ADJUSTABLE SPOT LIGHTS

MCMi-AS

Low Voltage, Magnetic Power Couple & Attachment
Aimable

- fixed color (2700, 3000, 3500 and 4000K)
- dynamic white
- narrow, medium and wide beam options

LINEAR UPLIGHTS

MCMi-LU

Low Voltage, Magnetic Attachment,
Fixed

- Fixed color (2700, 3000, 3500 and 4000K)
- Dynamic white
- Medium and wide beam options

LINEAR WALLWASHERS

MCMi-WW

Low Voltage, Magnetic Power Couple & Attachment,

- Fixed color (2700, 3000, 3500 and 4000K)
- Dynamic white
- Narrow, medium and wide beam options
- Asymmetric wall wash option
- 6", 12" & 24" nominal lengths

LINEAR LUMINOUS BANDS

MCMi-LB

Low Voltage, Magnetic Power Couple & Attachment

- Fixed color (2700, 3000, 3500 and 4000K)
- Dynamic white
- Regressed OR flush lens options
- Fixed lengths in 6" increments
- 90° corner fixtures
- 45° corner fixtures

PENDANTS

MCMi-P

Low Voltage, Magnetic Power Couple & Attachment

- Fixed color (2700, 3000, 3500 and 4000K)
- Dynamic white

COMPATIBLE ACCESSORIES

24V Constant Voltage Magnetic Accessories
Specified Separately

SECURITY CAMERA MODULE

24v, Magnetic Power Couple & Attachment

SPEAKER MODULE

24v, Magnetic Power Couple & Attachment