



Ningbo Target Hydraulics



宁波塔吉特液压有限公司
Ningbo Target Hydraulics Co.,Ltd

About Target Hydraulics

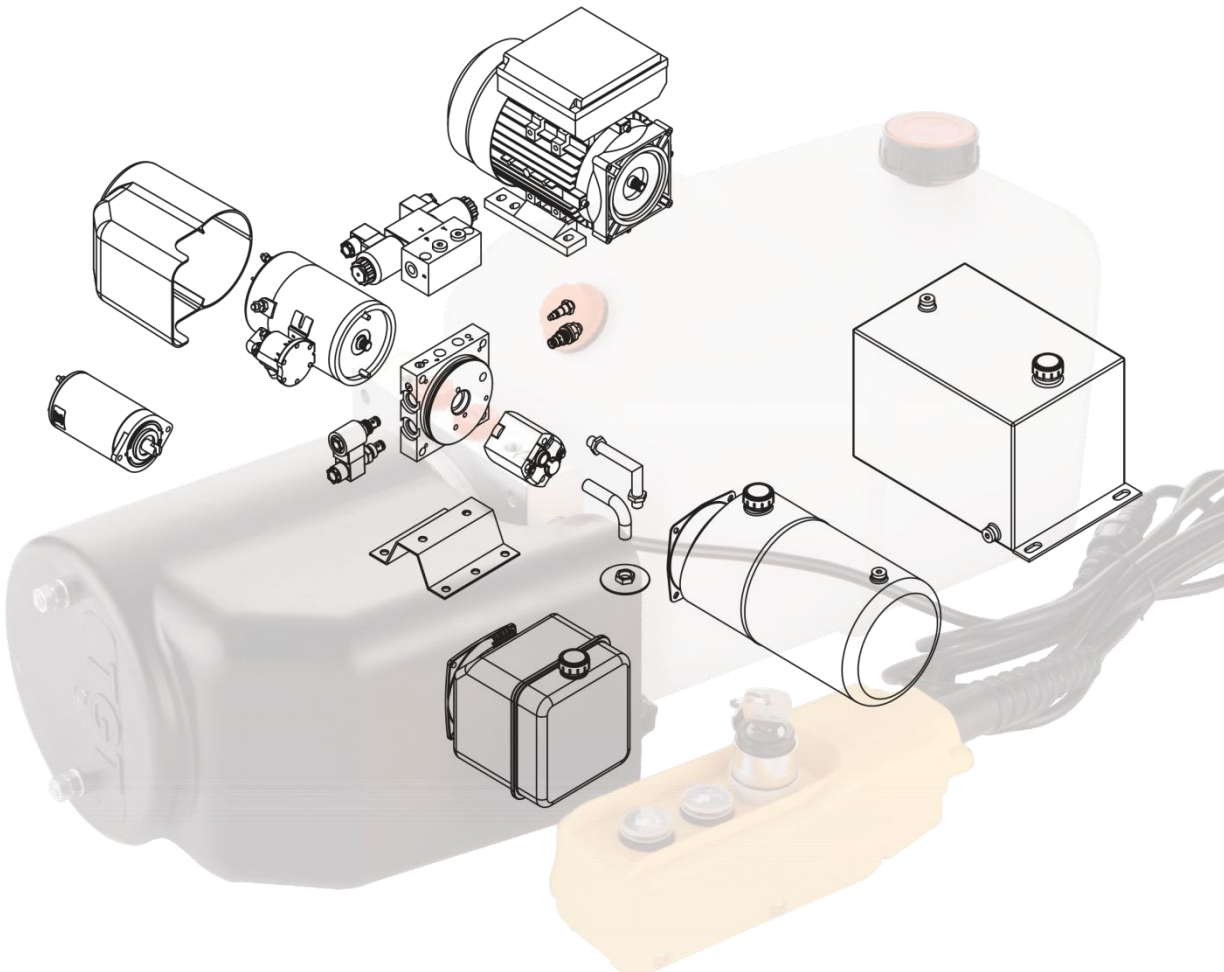
<Over 10 years hydraulic cartridge valves and mini power packs specialist>

Ningbo Target Hydraulics is hydraulic mini power pack China manufacturer .We also provide hydraulic valve manifold blocks and hydraulic cartridges. Our wide range of hydraulic products applications including Scissor lift, tipping trailer, electric straddle stacker, hydraulic power units and custom Bespoke hydraulic Systems .

We got 2 facilities which are located in Ningbo .One is for hydraulic cartridge valve and hydraulic manifold block production, the other one is for hydraulic power pack assembly and test. Each products under our 100% inspect before delivery.

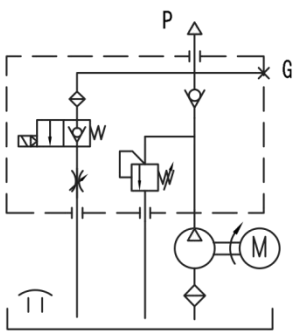
Target Hydraulics is Specialists in Hydraulic design and products:

- >Professional manufacturer of hydraulic cartridge valves and mini hydraulic power packs,
- > Design and Develop hydraulic products with Solidworks and AutoCAD.
- >Hydraulic cartridge valve and hydraulic power unit test facility.
- >World class quality Hydraulic power packs and cartridge valves also hydraulic solutions.
- >Both ODM & OEM orders are available .

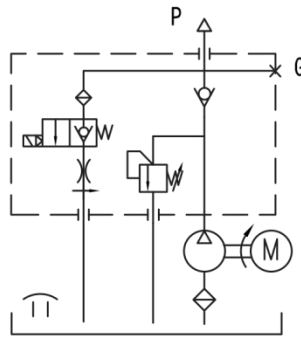


Our wide range of hydraulic schematics (hydraulic circuit)

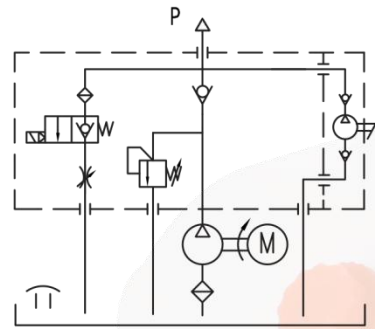
HYDRAULIC CIRCUIT



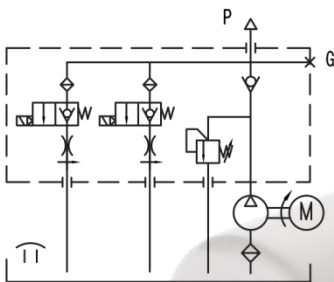
101



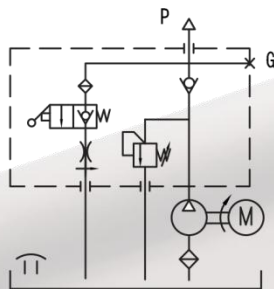
102



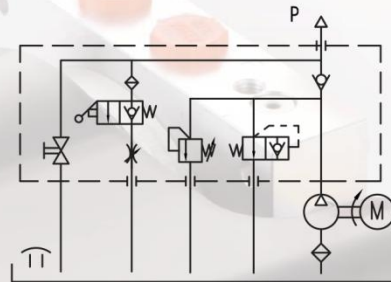
103



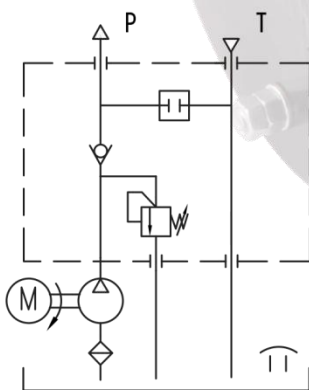
104



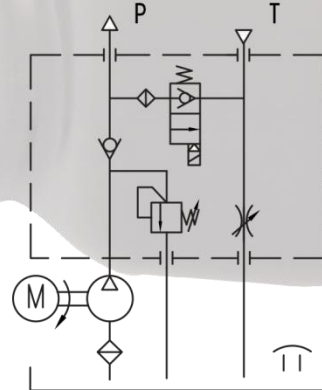
105



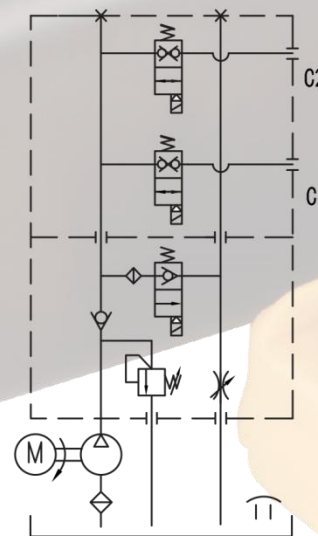
106



107



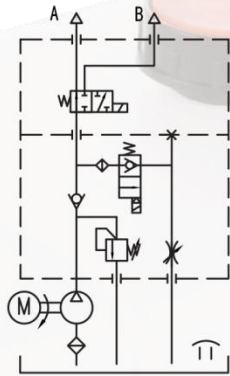
108



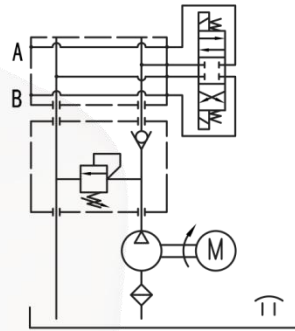
109

Our wide range of hydraulic schematics (hydraulic circuit)

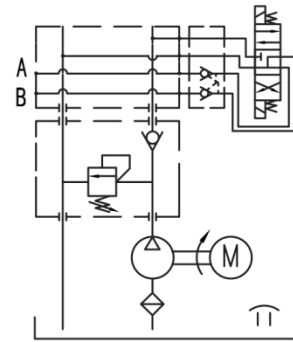
HYDRAULIC CIRCUIT



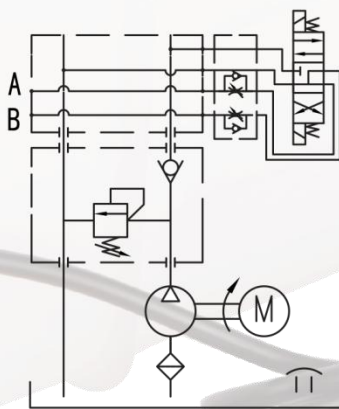
110



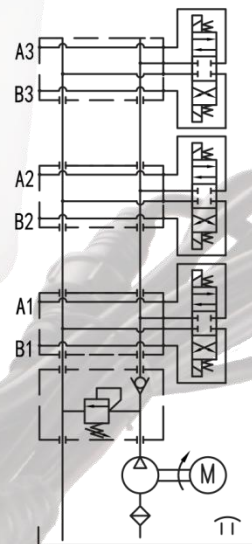
111



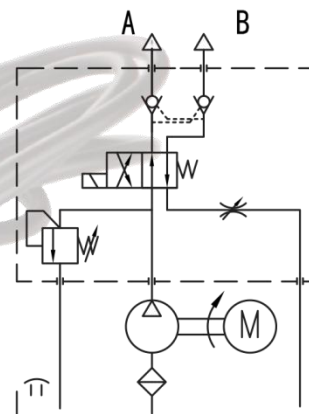
112



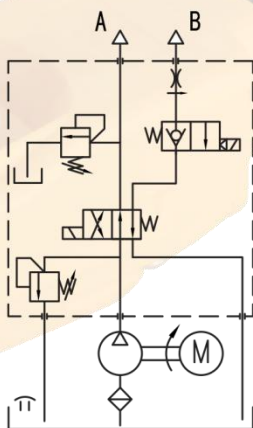
113



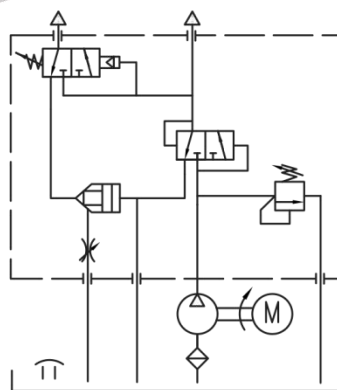
114



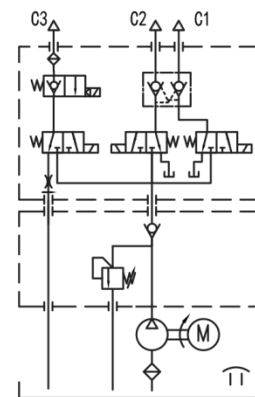
115



116



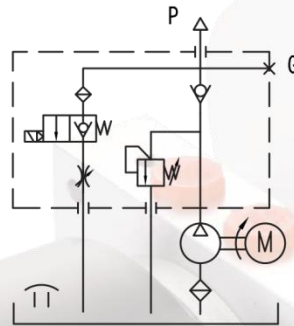
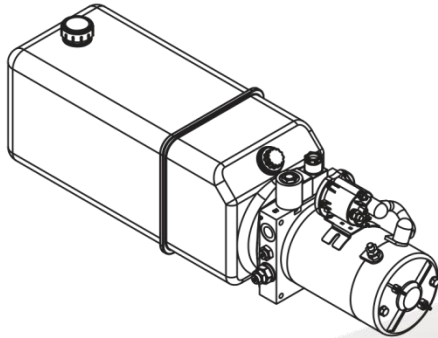
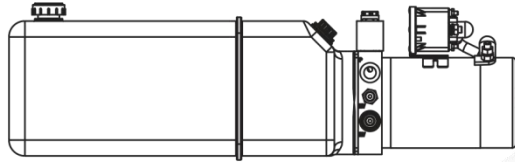
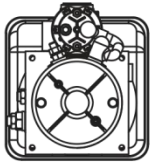
117



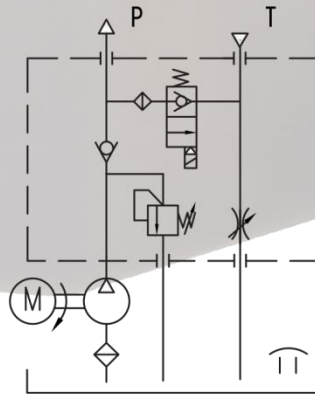
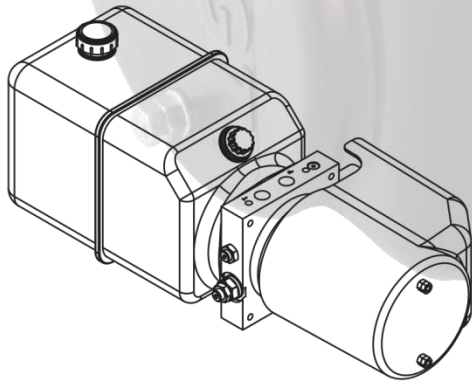
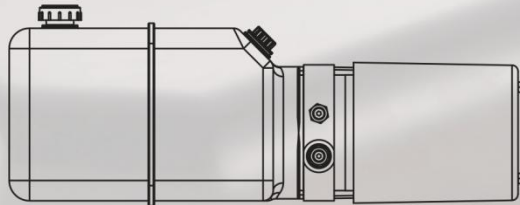
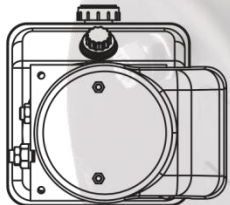
118

Typical Hydraulic Power Packs drawing

HYDRAULIC POWER PACKS



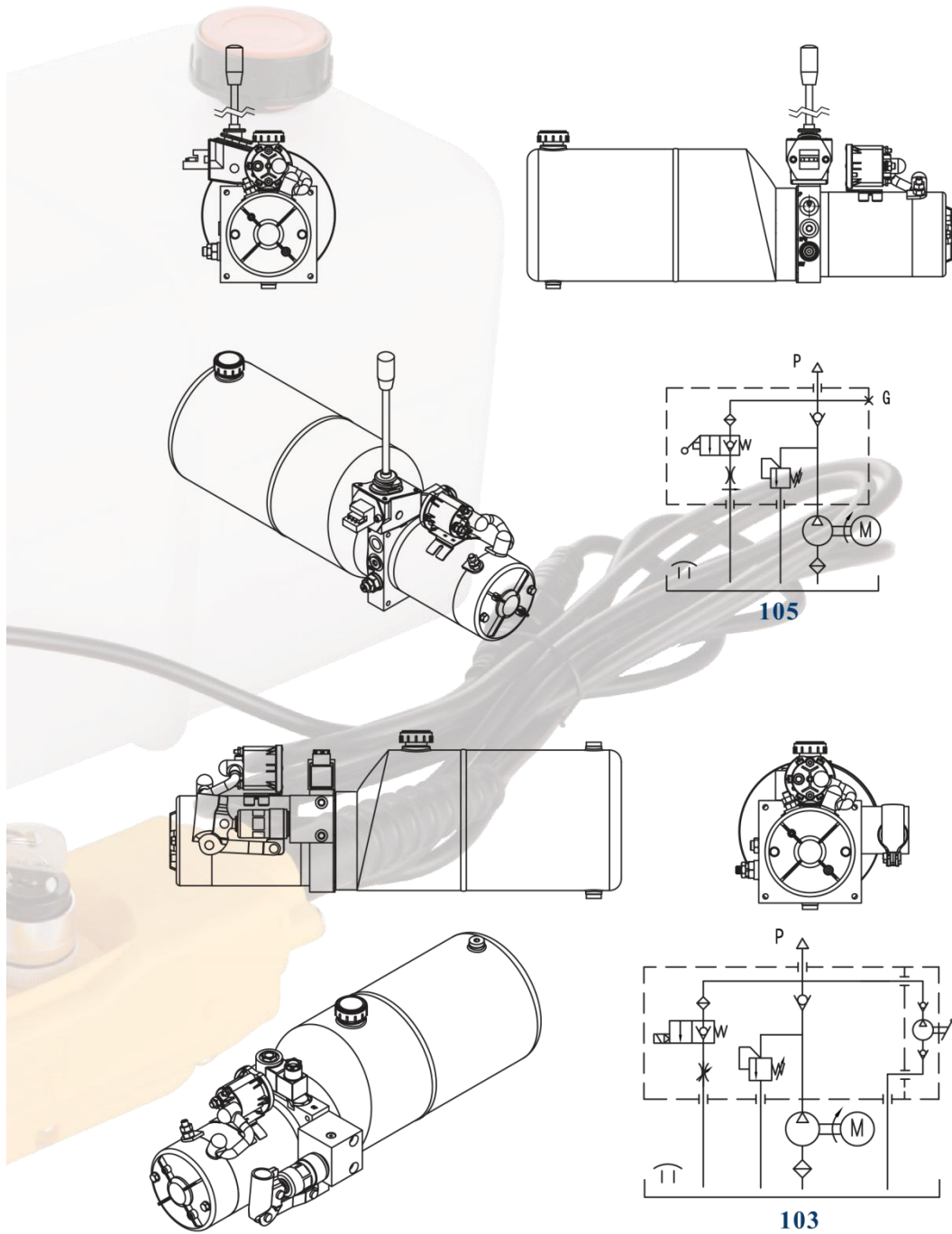
101



108

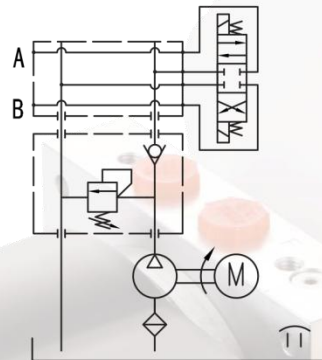
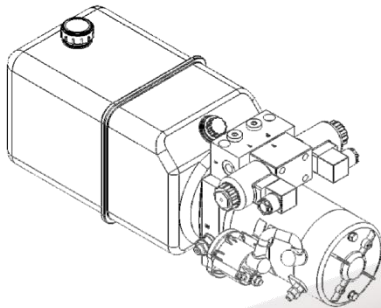
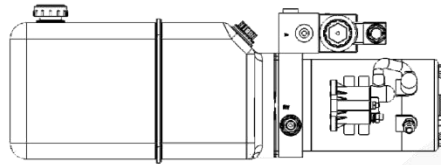
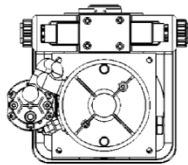
Typical Hydraulic Power Packs drawing

HYDRAULIC POWER PACKS

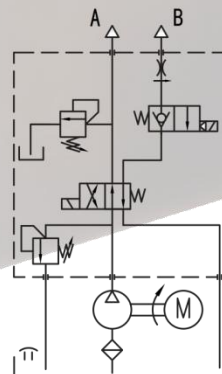
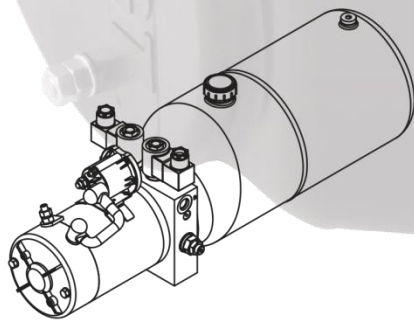
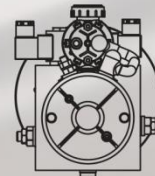
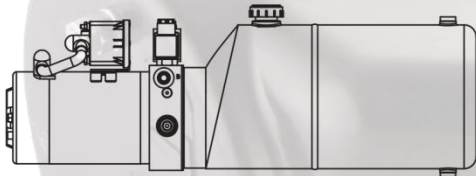


Typical Hydraulic Power Packs drawing

HYDRAULIC POWER PACKS



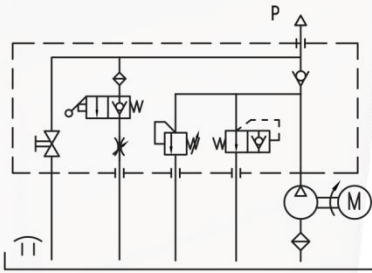
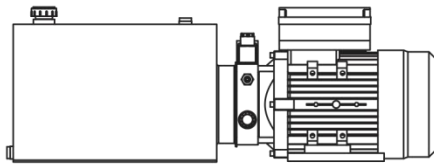
111



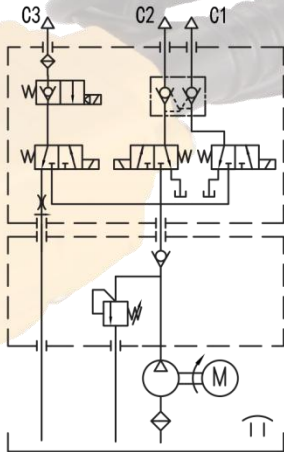
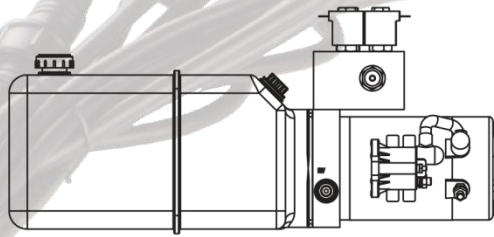
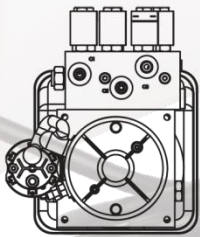
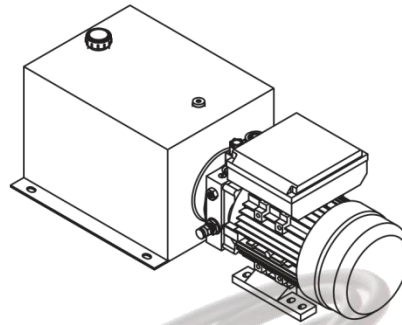
116

Typical Hydraulic Power Packs drawing

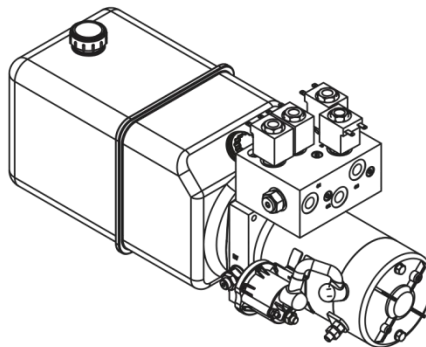
HYDRAULIC POWER PACKS



106

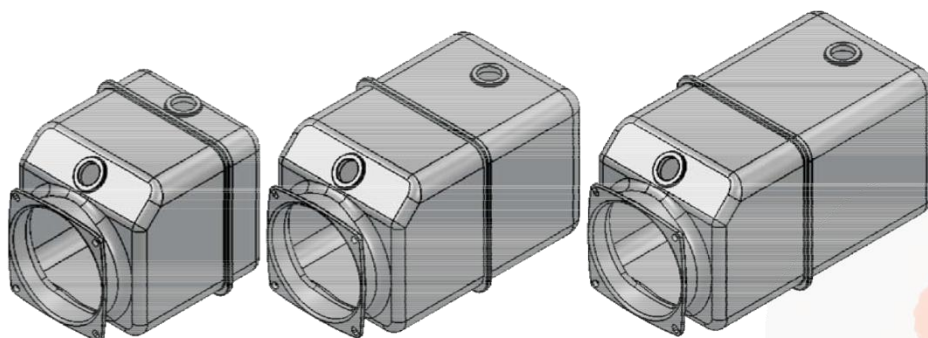


118

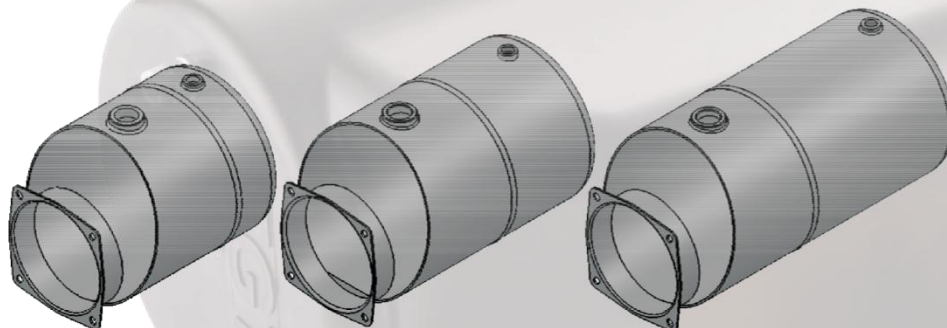


Our Standard Hydraulic Tanks

TANK



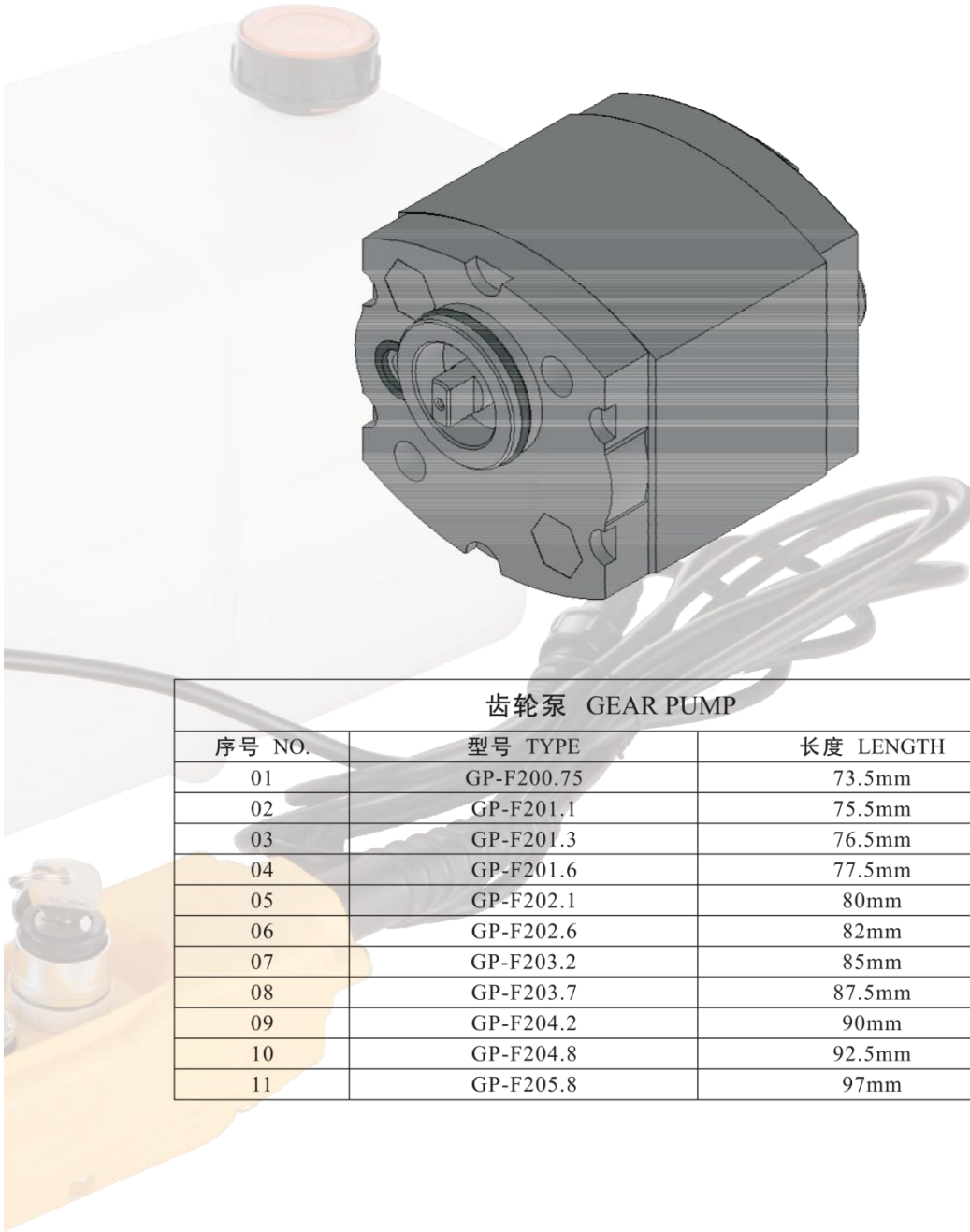
塑料油箱 PLASTIC TANK		
序号 NO.	容积 VOLUME	长度 LENGTH
01	4L	200mm
02	7L	290mm
03	8L	335mm
04	11L	440mm
05	13L	550mm



铁油箱 STEEL TANK		
序号 NO.	容积 VOLUME	长度 LENGTH
01	4L	225mm
02	5L	265mm
03	6L	290mm
04	8L	365mm
05	10L	435mm
06	12L	505mm
07	16L	645mm

Hydraulic Gear Pumps

GEAR PUMP



齿轮泵 GEAR PUMP		
序号 NO.	型号 TYPE	长度 LENGTH
01	GP-F200.75	73.5mm
02	GP-F201.1	75.5mm
03	GP-F201.3	76.5mm
04	GP-F201.6	77.5mm
05	GP-F202.1	80mm
06	GP-F202.6	82mm
07	GP-F203.2	85mm
08	GP-F203.7	87.5mm
09	GP-F204.2	90mm
10	GP-F204.8	92.5mm
11	GP-F205.8	97mm