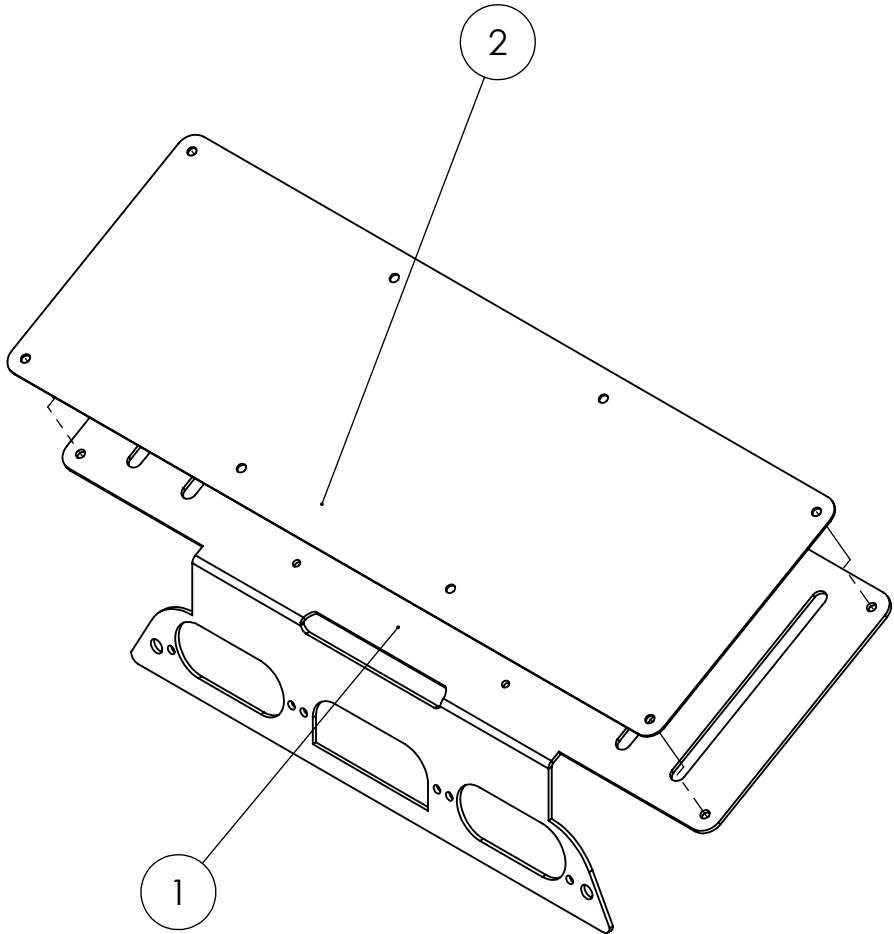


ITEM NO.	PART NUMBER	QTY.
1	Cab Mount	1
2	MagPlate XL	1



TITLE:
MMP-F150-2015

PROPRIETARY AND CONFIDENTIAL
THE INFORMATION CONTAINED IN THIS DRAWING IS THE SOLE PROPERTY OF LARSON ELECTRONICS LLC. ANY REPRODUCTION IN PART OR AS A WHOLE WITHOUT THE WRITTEN PERMISSION OF LARSON ELECTRONICS LLC IS PROHIBITED.

UNLESS OTHERWISE NOTED:
Angle
.X
.XX
.XXX

		NAME
DIMENSIONS ARE IN INCHES	DRAWN	Luis Martinez
MATERIAL	CHECKED	N/A
DO NOT SCALE DRAWING		

SIZE A	DWG. NO.	REV 00
SCALE: NTS		SHEET 1 OF 6

5

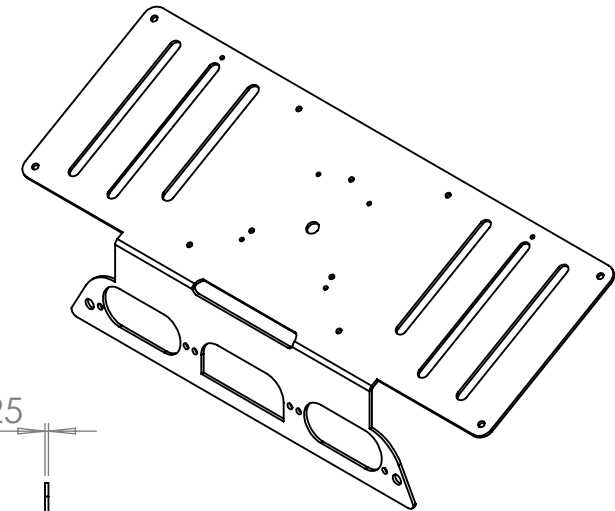
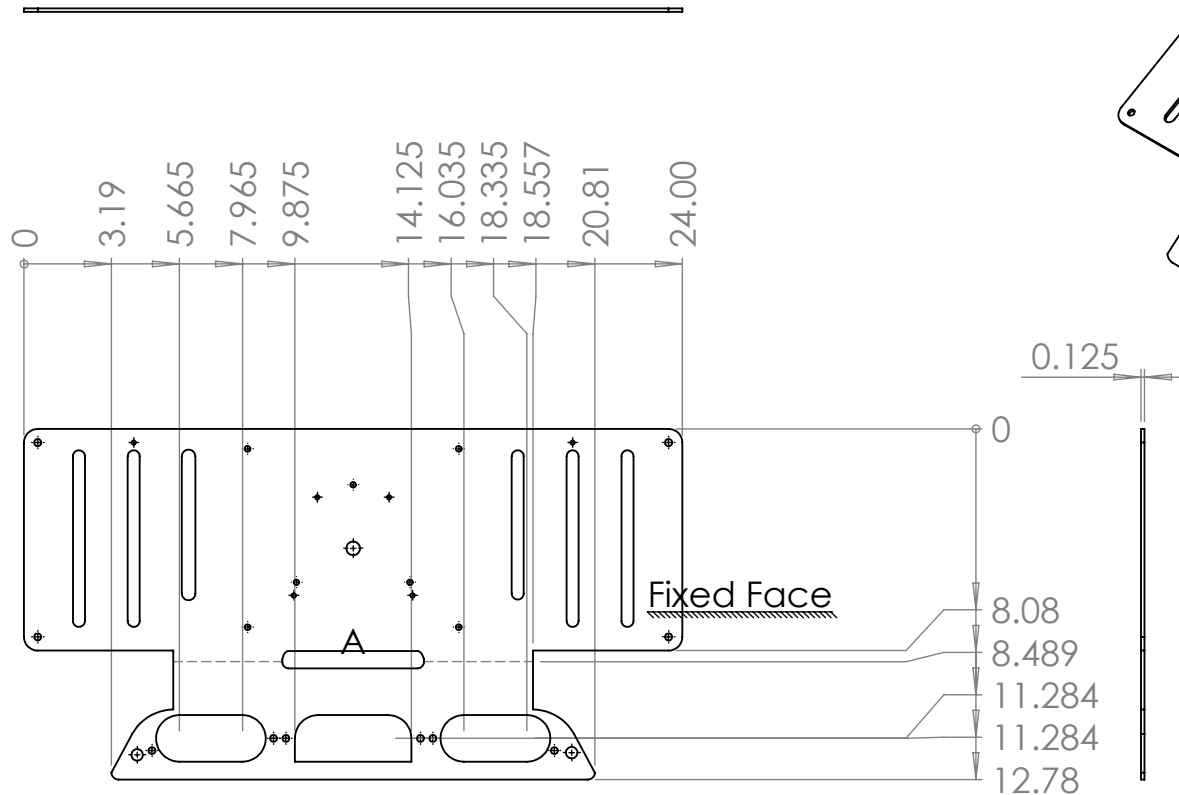
4

3

2

1

Tag	Direction	Angle	Inner Radius
A	DOWN	60°	0.1



TITLE:			
Cab Mount			
NAME	SIZE	DWG. NO.	REV
Luis Martinez	A		00
MATERIAL	SCALE: NTS	SHEET 3 OF 6	
6063-T6			
DO NOT SCALE DRAWING			

PROPRIETARY AND CONFIDENTIAL
THE INFORMATION CONTAINED IN THIS DRAWING IS THE SOLE PROPERTY OF LARSON ELECTRONICS LLC. ANY REPRODUCTION IN PART OR AS A WHOLE WITHOUT THE WRITTEN PERMISSION OF LARSON ELECTRONICS LLC IS PROHIBITED.

UNLESS OTHERWISE NOTED:

Angle +/- 0.5 deg
.X +/- 0.02
.XX +/- 0.01
.XXX +/- 0.005

DIMENSIONS ARE IN INCHES

DRAWN

Luis Martinez

MATERIAL

6063-T6

CHECKED

N/A

DO NOT SCALE DRAWING

5

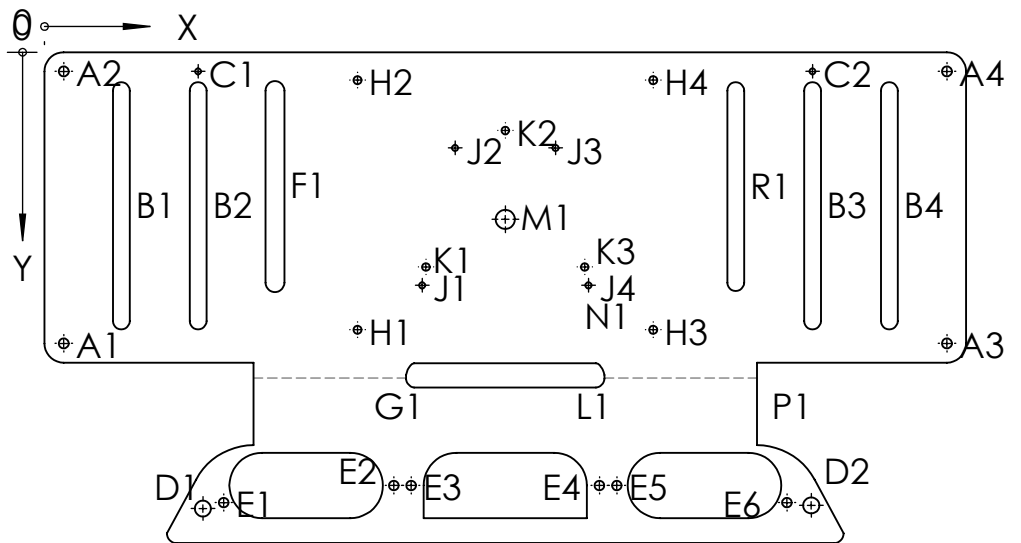
4

3

2

1

TAG	X LOC	Y LOC	SIZE
A1	0.50	7.58	Ø0.260 THRU
A2	0.50	0.50	
A3	23.50	7.58	
A4	23.50	0.50	
B1	2.00	4.00	0.438 X 6.438
B2	4.00	4.00	
B3	20.00	4.00	
B4	22.00	4.00	
C1	4.00	0.50	Ø0.155 THRU
C2	20.00	0.50	
D1	4.13	11.88	Ø0.420 THRU
D2	19.97	11.80	
E1	4.67	11.73	Ø0.250 THRU
E2	9.10	11.28	
E3	9.55	11.28	
E4	14.45	11.28	
E5	14.91	11.28	
E6	19.34	11.73	
F1	6.00	3.50	0.492 X 5.492
G1	6.82	11.28	
H1	8.15	7.23	Ø0.210 THRU
H2	8.15	0.73	
H3	15.85	7.23	
H4	15.85	0.73	
J1	9.84	6.07	Ø0.160 THRU
J2	10.69	2.49	
J3	13.31	2.49	
J4	14.17	6.07	
K1	9.93	5.59	Ø0.200 THRU
K2	12.00	2.04	
K3	14.07	5.59	
L1	12.00	11.28	
M1	12.00	4.35	Ø0.500 THRU
N1	12.00	8.42	
P1	17.19	11.28	
R1	18.00	3.50	0.438 X 5.438



TITLE:

Cab Mount

PROPRIETARY AND CONFIDENTIAL
 THE INFORMATION CONTAINED IN THIS DRAWING IS THE SOLE PROPERTY OF LARSON ELECTRONICS LLC. ANY REPRODUCTION IN PART OR AS A WHOLE WITHOUT THE WRITTEN PERMISSION OF LARSON ELECTRONICS LLC IS PROHIBITED.

UNLESS OTHERWISE NOTED:

Angle +/- 0.5 deg
 .X +/- 0.02
 .XX +/- 0.01
 .XXX +/- 0.005

NAME

Luis Martinez

DIMENSIONS ARE IN INCHES

DRAWN

MATERIAL 6063-T6

CHECKED

N/A

DO NOT SCALE DRAWING

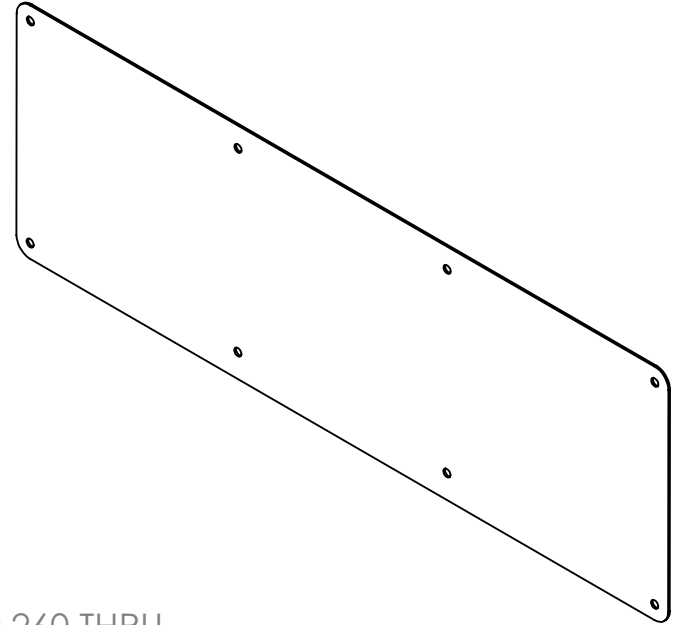
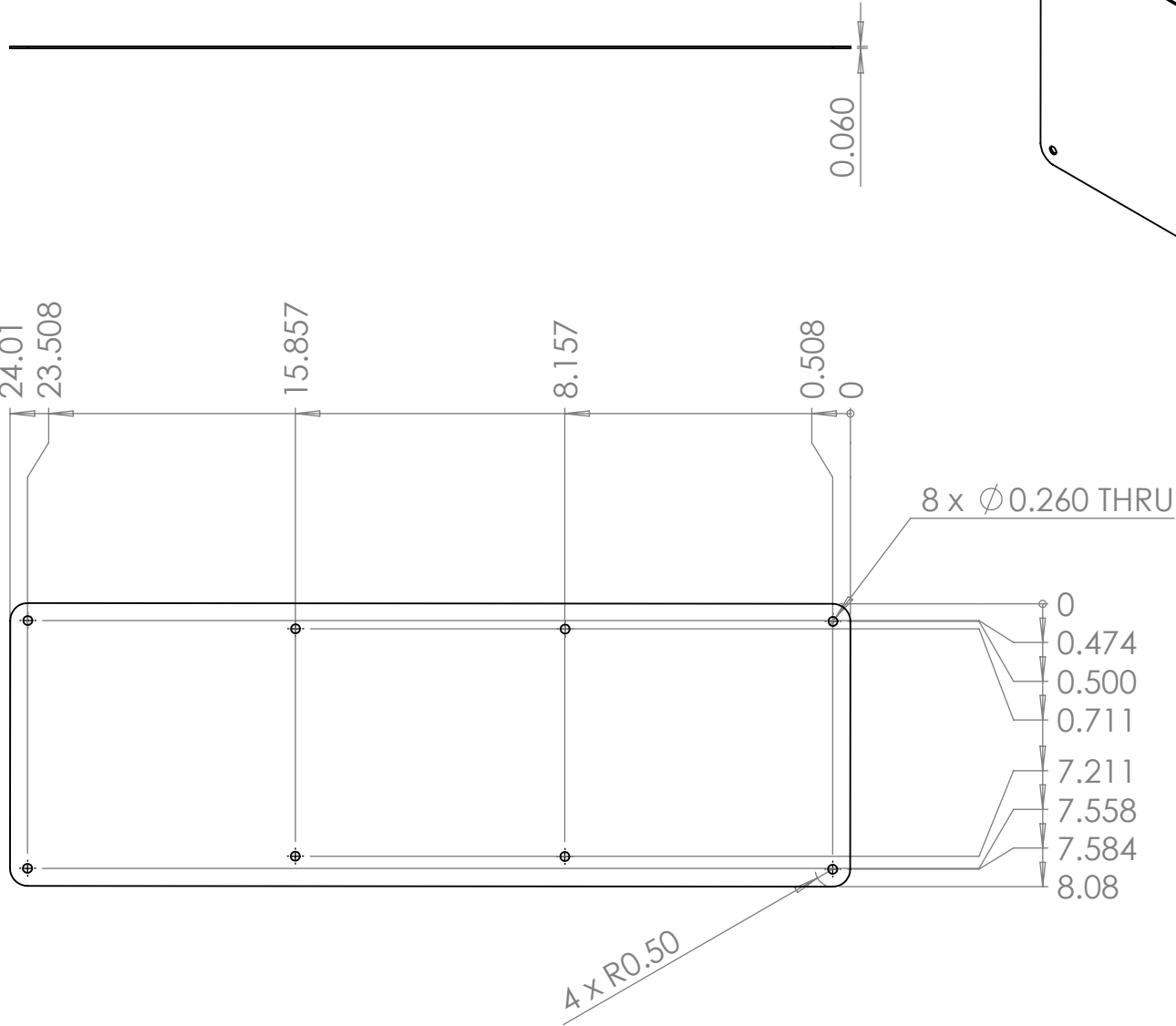
SIZE
A

DWG. NO.

REV
00

SCALE: NTS

SHEET 4 OF 6



TITLE:			
MagPlate XL			
NAME	SIZE	DWG. NO.	REV
Luis Martinez	A		00
CHECKED	SCALE: NTS	SHEET 6 OF 6	
N/A			

PROPRIETARY AND CONFIDENTIAL
THE INFORMATION CONTAINED IN THIS DRAWING IS THE SOLE PROPERTY OF LARSON ELECTRONICS LLC. ANY REPRODUCTION IN PART OR AS A WHOLE WITHOUT THE WRITTEN PERMISSION OF LARSON ELECTRONICS LLC IS PROHIBITED.

UNLESS OTHERWISE NOTED:
Angle +/- 0.5 deg
.X +/- 0.02
.XX +/- 0.01
.XXX +/- 0.005

DIMENSIONS ARE IN INCHES		DRAWN	NAME
MATERIAL		CHECKED	
ASTM A36 Steel			Luis Martinez
DO NOT SCALE DRAWING			N/A