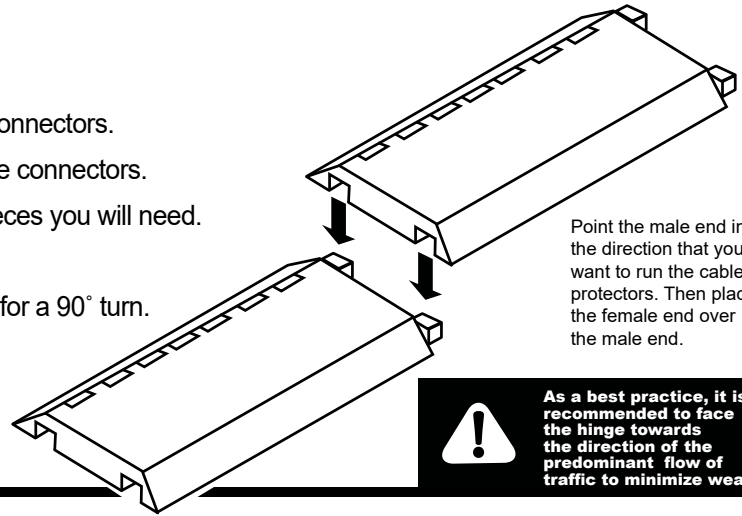


LOAD RATINGS	
HEAVY DUTY	Up to 20,000 lbs per tire
MEDIUM DUTY	Up to 10,000 lbs per tire
GENERAL PURPOSE	Up to 10,000 lbs per tire

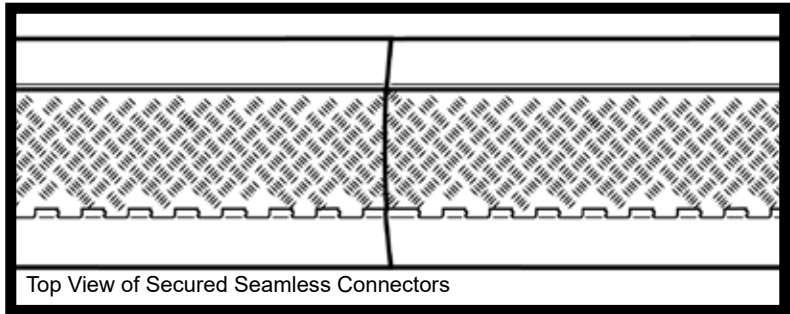
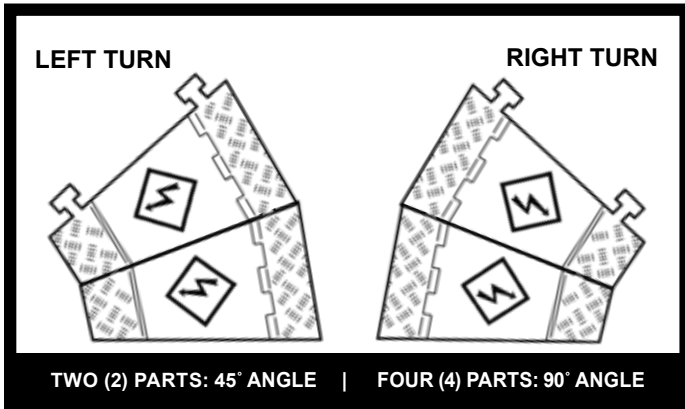
Installation Instructions

- Inspect the area for safety hazards or large debris.
- Assemble sections by aligning female connectors over male connectors.
- Apply pressure on connection point with your foot to secure the connectors.
- If there are turns, determine the appropriate amount of turn pieces you will need.
- Each turn piece is 22.5°.
- Use two (2) turn pieces for a 45° turn. Use four (4) turn pieces for a 90° turn.
- After placing all protectors together installation is complete.
- Continue to semi-permanent installation if needed.



Point the male end in the direction that you want to run the cable protectors. Then place the female end over the male end.

As a best practice, it is recommended to face the hinge towards the direction of the predominant flow of traffic to minimize wear.



Semi- Permanent Installation (Concrete)

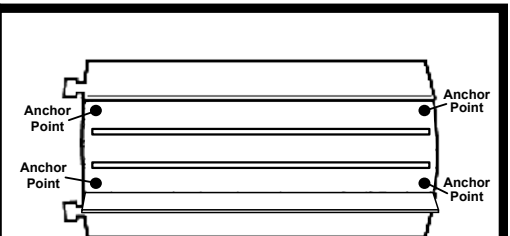
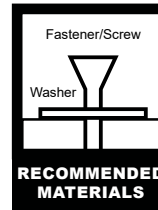
- Place Cable Protector in location assembled as desired.
- For concrete, use Tapcon 1/4 in. x 1-1/4 in. Phillips-Flat-Head Concrete Anchors or similar.
- Open the lids. In the middle of the outermost channels mark 3" in from the edge of each part (see diagram). At these locations, with the recommended bit, Drill through the bottom of the Cable Protector to the recommended fastener depth.
- Insert and tighten the fasteners to recommendations.

Semi- Permanent Installation (Asphalt)

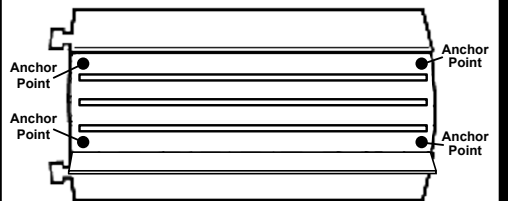
- Place Cable Protector in location assembled as desired.
- For asphalt, use Tapcon 1/4 in. x 3 in. Phillips-Flat-Head Concrete Anchors or similar.
- Open the lids. In the middle of the outermost channels mark 3" in from the edge of each part (see diagram). At these locations, with the recommended bit, Drill through the bottom of the Cable Protector to the recommended fastener depth.
- Fill hole with concrete anchoring cement.
- Insert and tighten the fasteners to recommendations.

WARRANTY INFORMATION

POWERHOUSE cable protectors are covered by a 3 year indoor/1 year outdoor manufacturer's warranty.



3 CHANNEL CABLE PROTECTOR SEMI-PERMANENT ANCHOR POINTS



5 CHANNEL CABLE PROTECTOR SEMI-PERMANENT ANCHOR POINTS

RECOMMENDED ANCHOR POINTS

Questions?

NORTH AMERICA - Wearwell, LLC
Phone: 1.800.264.3030
Wearwell.com

CANADA
Wearwell.com/ca
MEXICO
Wearwell.com/mx

EUROPE, UK & IRELAND -
Wearwell Europe LTD
Phone: +44.1525.307271
www.wearwell.com/uk

FRANCE
www.wearwell.com/fr
GERMANY
www.wearwell.com/de