

PROPRIETARY AND CONFIDENTIAL
 THE INFORMATION CONTAINED IN THIS DRAWING IS THE SOLE PROPERTY OF LARSON ELECTRONICS LLC. ANY REPRODUCTION IN PART OR AS A WHOLE WITHOUT THE WRITTEN PERMISSION OF LARSON ELECTRONICS LLC IS PROHIBITED.

TITLE:			VMP-AM-F150-2015		
SIZE	DWG. NO.	REV			
A		A	SCALE: NTS		
DO NOT SCALE DRAWING		DATE	3/29/2018	SHEET 1 OF 3	

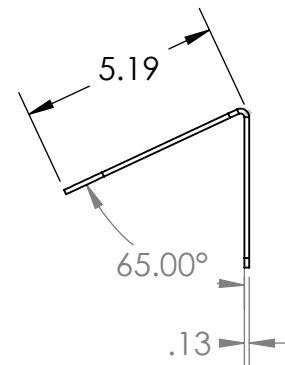
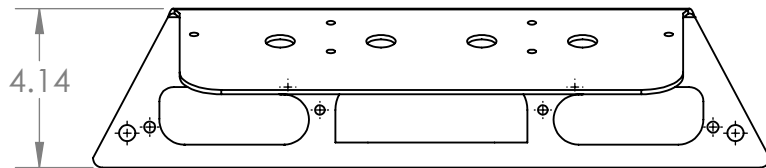
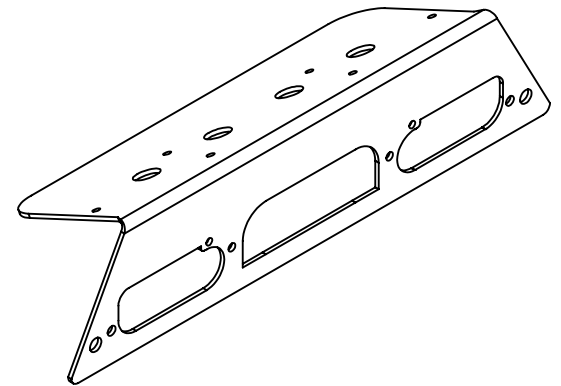
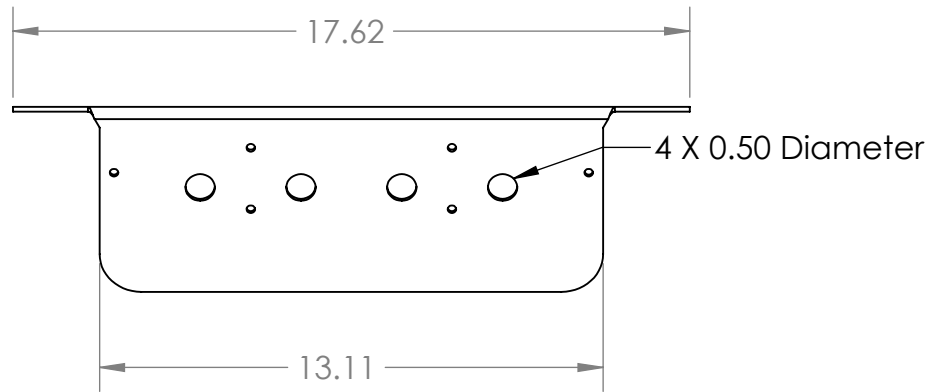
5

4

3

2

1



PROPRIETARY AND CONFIDENTIAL
THE INFORMATION CONTAINED IN THIS DRAWING IS THE SOLE PROPERTY OF LARSON ELECTRONICS LLC. ANY REPRODUCTION IN PART OR AS A WHOLE WITHOUT THE WRITTEN PERMISSION OF LARSON ELECTRONICS LLC IS PROHIBITED.

UNLESS OTHERWISE NOTED:

Angle +/- .5 deg
.X +/- .02
.XX +/- .01
.XXX +/- .005

FINISH	Powder Coat		
SURFACE AREA [sq. in]		231.47	NAME
DIMENSIONS ARE IN INCHES		DRAWN	Luis Martinez
MATERIAL	6061-T6 (SS)	CHECKED	
DO NOT SCALE DRAWING		DATE	3/29/2018

TITLE:			
VMP-AM-F150-2015			
SIZE	DWG. NO.		REV
A			A
SCALE: NTS			SHEET 2 OF 3

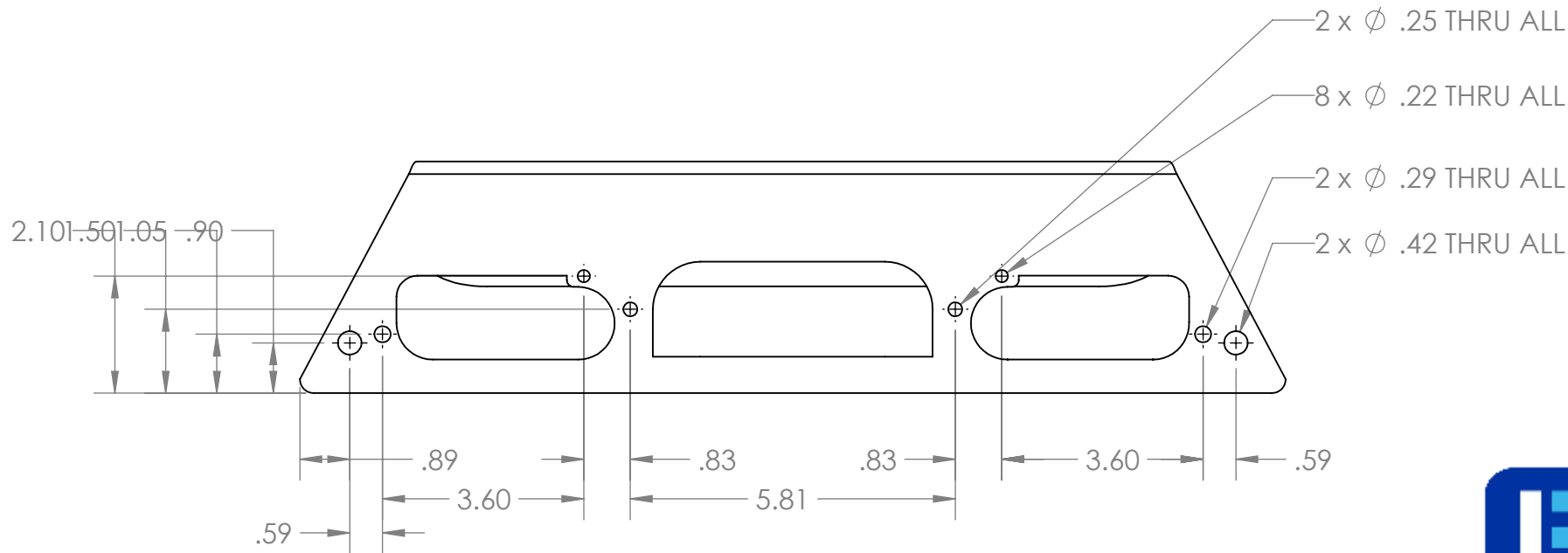
5

4

3

2

1



PROPRIETARY AND CONFIDENTIAL
 THE INFORMATION CONTAINED IN THIS DRAWING IS THE SOLE PROPERTY OF LARSON ELECTRONICS LLC. ANY REPRODUCTION IN PART OR AS A WHOLE WITHOUT THE WRITTEN PERMISSION OF LARSON ELECTRONICS LLC IS PROHIBITED.

UNLESS OTHERWISE NOTED:

Angle +/- .5 deg
 .X +/- .02
 .XX +/- .01
 .XXX +/- .005

FINISH	Powder Coat		
SURFACE AREA [sq. in.]		231.47	NAME
DIMENSIONS ARE IN INCHES		DRAWN	Luis Martinez
MATERIAL	6061-T6 (SS)	CHECKED	
DO NOT SCALE DRAWING		DATE	3/29/2018

TITLE:		
VMP-AM-F150-2015		
SIZE	DWG. NO.	REV
A		A
SCALE: NTS		SHEET 3 OF 3

5

4

3

2

1