

ClearFog GTR A385

Outdoor NVR Industrial PoE
Networking Platform



ClearFog GTR A385 brings the edge of the network to harsh and Industrial environments with a feature-rich flexible platform, including up to 8 x 1GbE LAN, 1 x 1GbE WAN, 2 x SFP, and a choice of 2 x SATA or 2 x mPCIe connectors.

ClearFog GTR fully supports distributing power over Ethernet (PoE) allowing developers to chain devices – running PSE power between ClearFog GTR platforms and providing power for end devices such as PoE cameras.

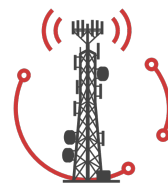
- ▶ **Marvell A385 dual-core (1.3Ghz) Arm Cortex A9**
- ▶ **Designed for outdoor & harsh environments**
- ▶ **PD / PSE PoE++ support**



Network Video Recorder (NVR)



Industrial Security Equipment



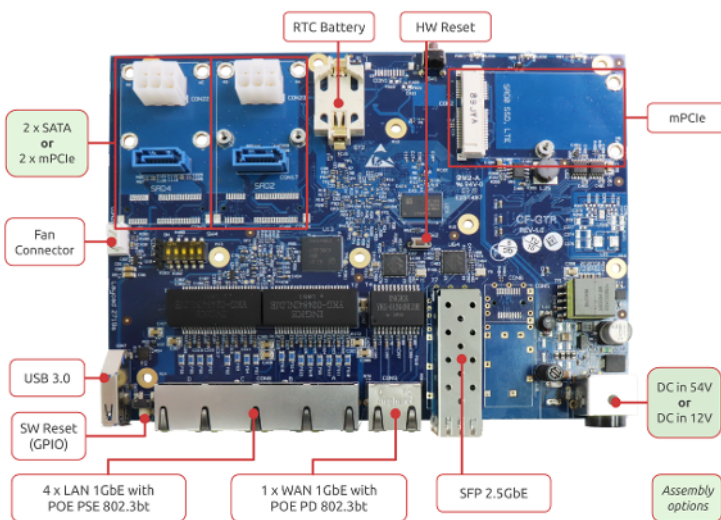
Outdoor Network Infrastructure

	ClearFog GTR S4	ClearFog GTR L8
Processor	Marvell ARMADA A385 Dual-core Arm Cortex A9 (up to 1.3Ghz)	
Memory & Storage	up to 2GB on-board DDR3L 2 x SATA (7 pin)* eMMC (8GB by default - other options available)	up to 2GB on-board DDR3L 2 x SATA (7 pin)* eMMC (8GB by default - other options available)
Network	4 x 1GbE switched LAN (RJ45) 1 x 1GbE WAN (RJ45)	8 x 1GbE switched LAN (RJ45) 1 x 1GbE WAN (RJ45)
Connectivity	3 x mPCIe* (1 x mPCIe supports LTE) 1 x USB 3.0 1 x SFP+ (up to 2.5GbE)	3 x mPCIe* (1 x mPCIe supports LTE) 1 x USB 3.0 2 x SFP+ (up to 2.5GbE)
I/O	GPIO header Indication LEDs User Push Button Micro USB to UART for development	GPIO header Indication LEDs User Push Button Micro USB to UART for development
Power over Ethernet (PoE)	4 x 1GbE switched LAN supporting 802.3at/af/bt PSE PoE 1 x 1GbE WAN supporting up to 802.3bt type 4 PD PoE	8 x 1GbE switched LAN supporting 802.3at/af/bt** PSE PoE 1 x 1GbE WAN supporting up to 802.3bt type 4 PD PoE
OS Support	Linux 4.4x, Ubuntu 16.04	Linux 4.4x, Ubuntu 16.04
Dimensions	177mm x 110mm (board)	211mm x 127mm (board)
Power	12V or 54V in DC jack (when PSE supported)	12V or 54V in DC jack (when PSE supported)
Environment	ESD Protection	ESD Protection
Enclosure	Ruggedized Metal Enclosure	Ruggedized Metal Enclosure

(*) Assembly option: 2 x SATA (7 pin) replace 2 x mPCIe slots.

(**) 802.3bt supported only on 4 RJ45 ports. Supports up to 90W each.

ClearFog GTR S4



ClearFog GTR L8

