

SCANIUS^{two}

Concept

The SCANIUS^{two} offered by piezosystem jena is designed for positioning samples over long travel while maintaining our standard of high precision. With this new two-axes stage piezosystem jena provides a better and more elegant solution for you to work with your samples or objects. The combination of high resolution and easy integration makes this system ideal for a variety of applications.

Features

- Two axes system (XY)
- Loop control with optical sensor
- Usable for incident light and transmitted light microscopes
- Different sample holders possible
 - Sample glass
 - Petri dish
 - Microtiter plate

Control

The LC3 controller offered from piezosystem jena is designed for easy operation with the SCANIUS^{two}.



SCANIUS^{two}

Product highlights:

- Travel X = 150mm Y = 70mm
- Speed up to 160 mm/s
- Ultra high precision scanning down to 40 nm
- Load capacity up to 3kg
- Piezoelectric drive without electromagnetic fields

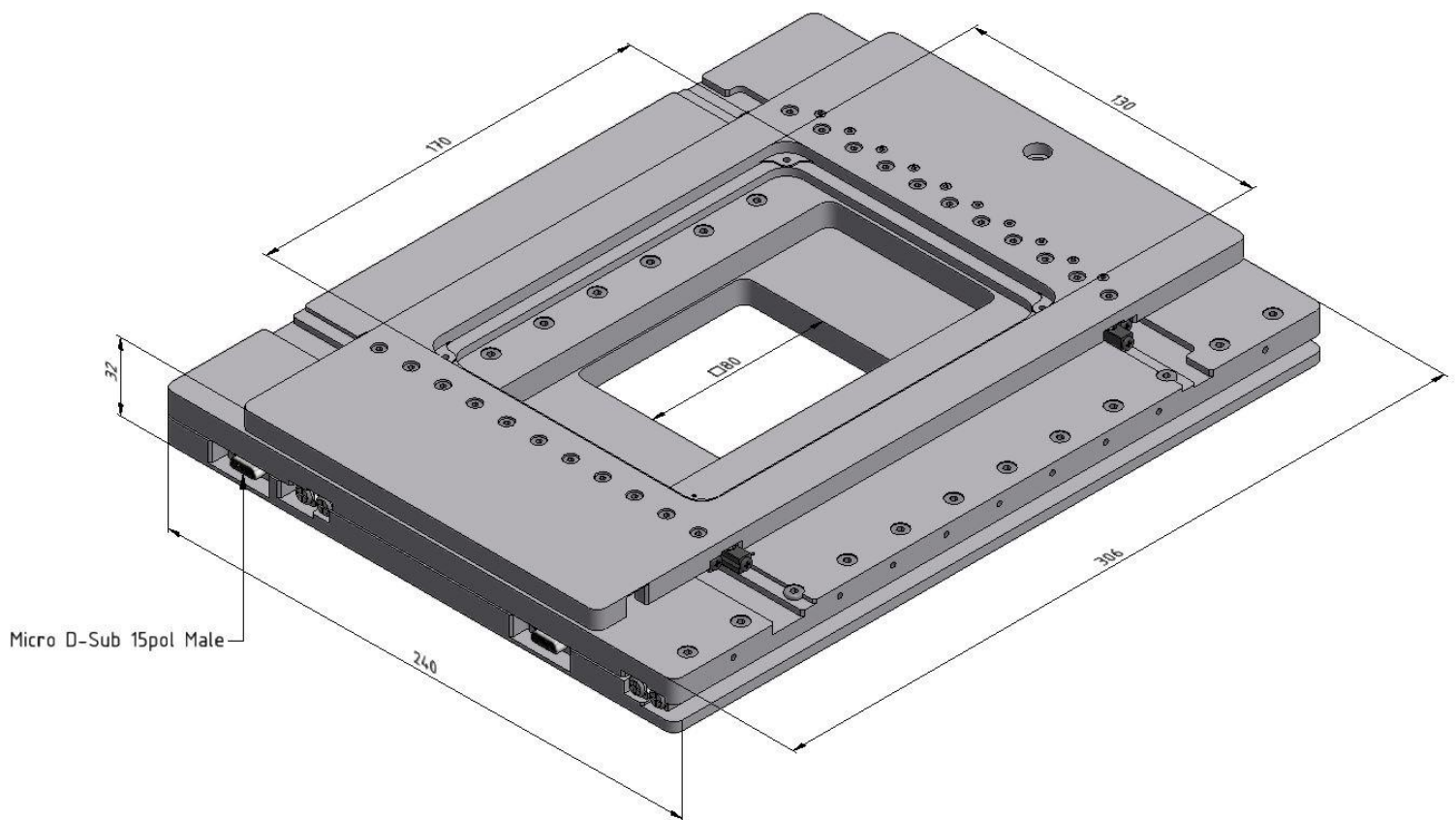
SCANIUS^{two}

Technical Data

part no.	T-602-09		
	unit	X-axis	Y-axis
Travel Range	mm	150 (5,9")	72 (2,8")
Speed	mm/s	160	150
Resolution	nm	40	
Repeatability	nm	<100	
Flatness (over 10mm)	µm	0,2	10
On-axis-accuracy	µrad	20	
Settling time (within 0,2µm)	msec	200	40
Load Capacity (max)	kg	3 (6.6 lb)	
Weight	kg	4 (8,81 lb)	
Bearing Type		cross roller bearing	
Motor Type		piezoelectric drive	
Operation position		horizontal	
interface module			
Micro D-Sub		15pol	
casing			
dimensions (l * w * h)	mm	306 x 240 x 32 (12" x 9,4" x 1,25")	
Aperture probe	mm	170 x 130 (6,7" x 5,1")	
Effective scanning range (open aperture)	mm	80 x 80 (3,1" x 3,1")	
Mounting grid (customizable)	mm	175 x 50 (6,8" x 1,9")	
environment			
operating temperature	-	5 ... 35°C / 41 ... 95°F	
humidity	% _{rel}	max. 80, non-condensing	
altitude	m	up to 2000	
Sample holder compatibility			
Scanning stage is compatible to Thorlabs MLS203 series and all corresponding adapters			

SCANIUS^{two}

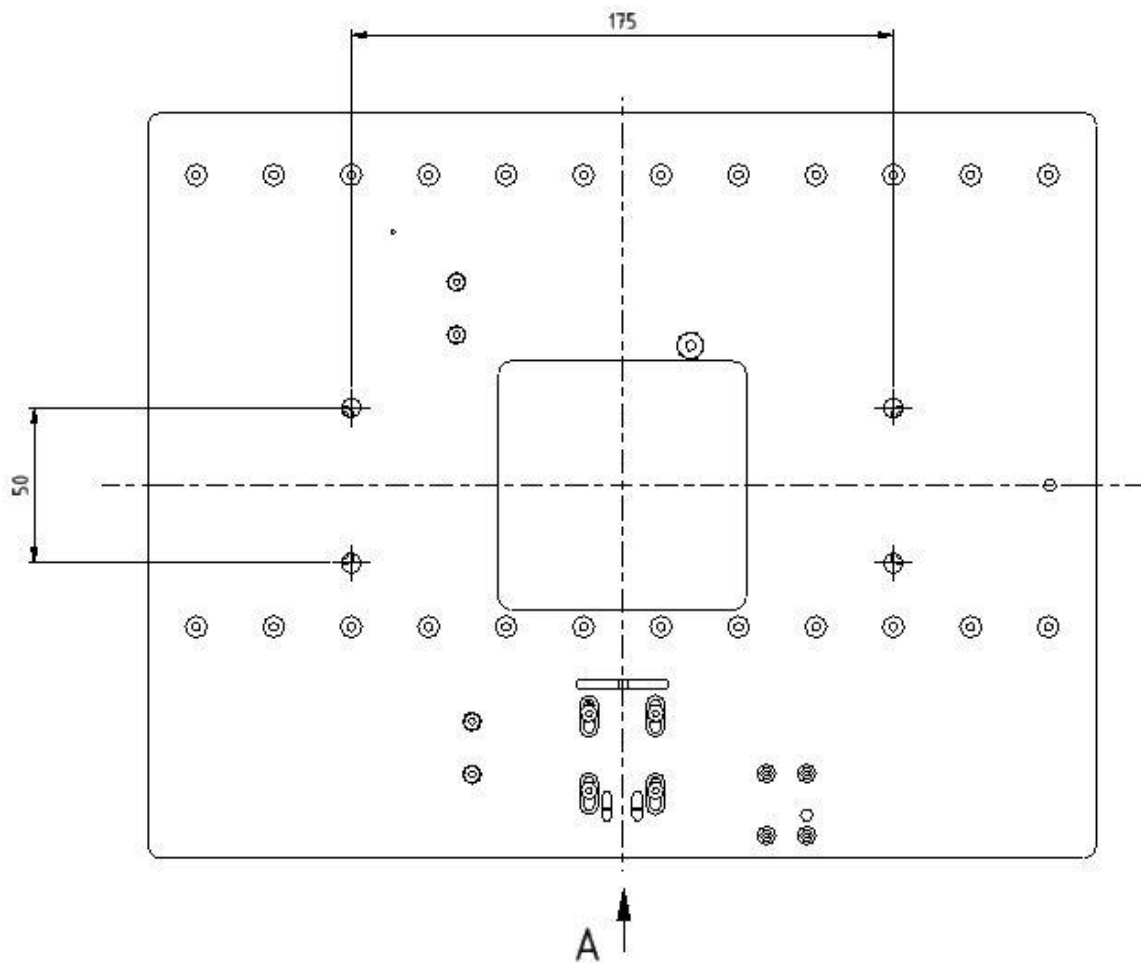
Drawing (values in mm)



SCANIUS^{two}

Drawing (values in mm)

part.-no.	T 602 09 000	part.-name	SCANIUS two
file name		OK: date/sign.	07.05.2019 / AN
	scale	customers drawing piezosystem jena	
	1:2		



A (1 : 2)

