

Modular Wiring

What Advantages Does Modular Wiring Hold Over Traditional Wiring Methods?

Reduced Installation

Modular wiring can snap together in half the time. All the electrician must do is bring power to the circuit breaker box and connect the circuits to the breakers.

Flexibility

Using a modular wiring package makes it easy to reconfigure and reuse if the building has needed changes in the future.

Safety

All components are factory tested and comply with all standard requirements. The snap together system also eliminates the potential risk of field technician errors.

Time Savings Installation Comparison For a Single Zone Lighting Distribution System

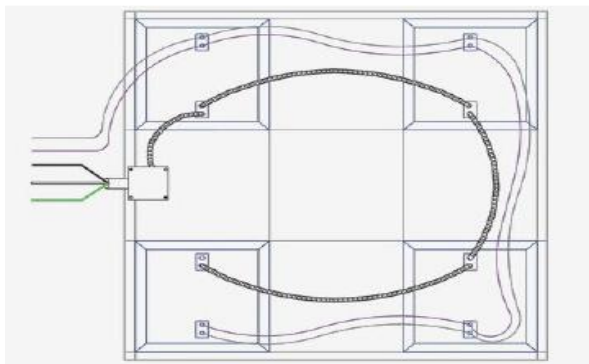
Traditional Wiring	Modular Wiring
Main run from distribution board to distribution box (40ft) 85.30 Minutes	Main run from distribution board to distribution box (40ft) 51.00 Minutes
Install lighting control box (inc measure, mark and fix) 9.00 Minutes	Install lighting control box (inc measure, mark and fix) 5.00 Minutes
Connect lighting control box to distribution box (20ft) 52.50 Minutes	Connect lighting control box to distribution box (20ft) 27.00 Minutes
Install switch drop cable (5ft) 54.70 Minutes	Install switch drop cable(5ft) 8.00 Minutes
Run cable between 9 light fittings spaced at 5ft 209.90 Minutes	Run cable between 9 light fittings spaced at 5ft 48.00 Minutes

Go From Traditional Wiring to One Simple Pluggable System

Traditional

Modular

Cost Based on Average Electrician: \$95.00 Per Hour.



Cost Based on Average Factory Time: \$35.00 Per Hour.

