

Features

- Functions as a diverter valve or selector valve
- All valve materials comply with FDA, USDA, and 3-A requirements
- Virgin PTFE ball seats
- Triple PTFE/ Viton® high cycle live loaded stem seal packing
- Tri-Clamp ends for hygienic connections
- Highly polished internals and end caps with 8-12 Ra finish
- Electro-polished exterior surfaces
- Spring Return or Double Acting Actuators
- Corrosion resistant 316 stainless steel body, pistons & rack
- NEMA 4/4X (IP66) enclosure for washdown applications
- Coated springs for additional corrosion resistance (for spring return models)
- Externally adjustable stroke
- Pre-lubricated and tested to minimum 1 million operations
- Highly visible valve position indicator
- Valve tested per API598

Applications

Sanitary 3-way ball valves are typically used for food, beverage, pharmaceutical, personal care, and pet care applications where 3-A sanitary construction is required, as well as for utility, process, and corrosive environment applications where quick clamp connections are beneficial. Often used as a diverter, selector, or mixing valve with a variety of flow path options through the valve.

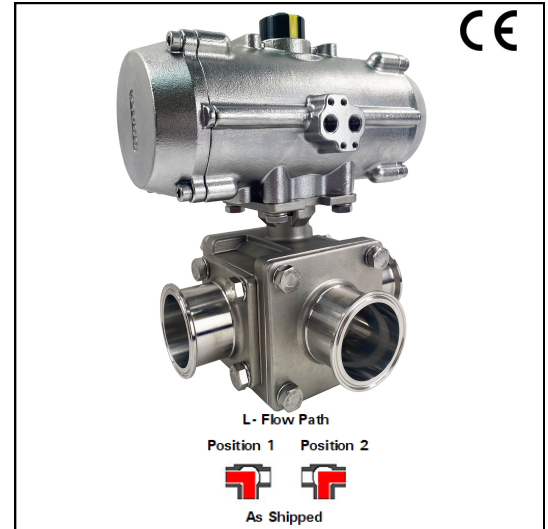
Operation

Double acting rack & pinion actuators use air pressure to open and air pressure to close the ball valve (4-way pilot). Spring return rack & pinion actuators use air pressure to open and springs to close the ball valve (3-way pilot). Actuator will work with filtered dry or lubricated compressed air. Air supply pilot pressure should be between 80 and 120 PSI. Easy to read visual valve position indicator located on top of actuator.

Note:3A standard 68-00 requires a minimum 1" clearance between valve and actuator. Valworx High Temp kits can be used to satisfy this requirement.

Construction

Valve Body	ASTM 316 Stainless Steel
Ball/Stem	ASTM 316 stainless steel
Ball Seats/ Cavity Filler	Virgin PTFE
Stem Seals	PTFE/ Viton®
Actuator Seals	NBR (Buna-N)
Actuator Body	ASTM 316 Stainless Steel
Position Indicator	Plastic
Fasteners	ASTM 304 Stainless Steel



Description

Heavy duty stainless steel quarter turn rack & pinion actuators designed for long life and tested for a minimum 1 million operations. Investment cast 3-piece full port stainless steel body and end caps for unrestricted flow and minimum pressure loss. Valve seals are cavity filled PTFE. Self adjusting live loaded stem seal packing helps compensate for wear, pressure or temperature fluctuations, extending the cycle life of the valve. Blow-out proof stem. Cavity fillers avoid media entrapment and quick clamp end connections allow for easy cleaning. Standard Namur mounting pads for optional accessory confirmation switches, pilot valves and valve positioners.

Standards

- Construction:
 - 3A 68-00
 - ANSI B16/B2/B18
 - NSF 61
 - FDA 21 CFR 177.1550
 - ISO5211/ DIN 3337

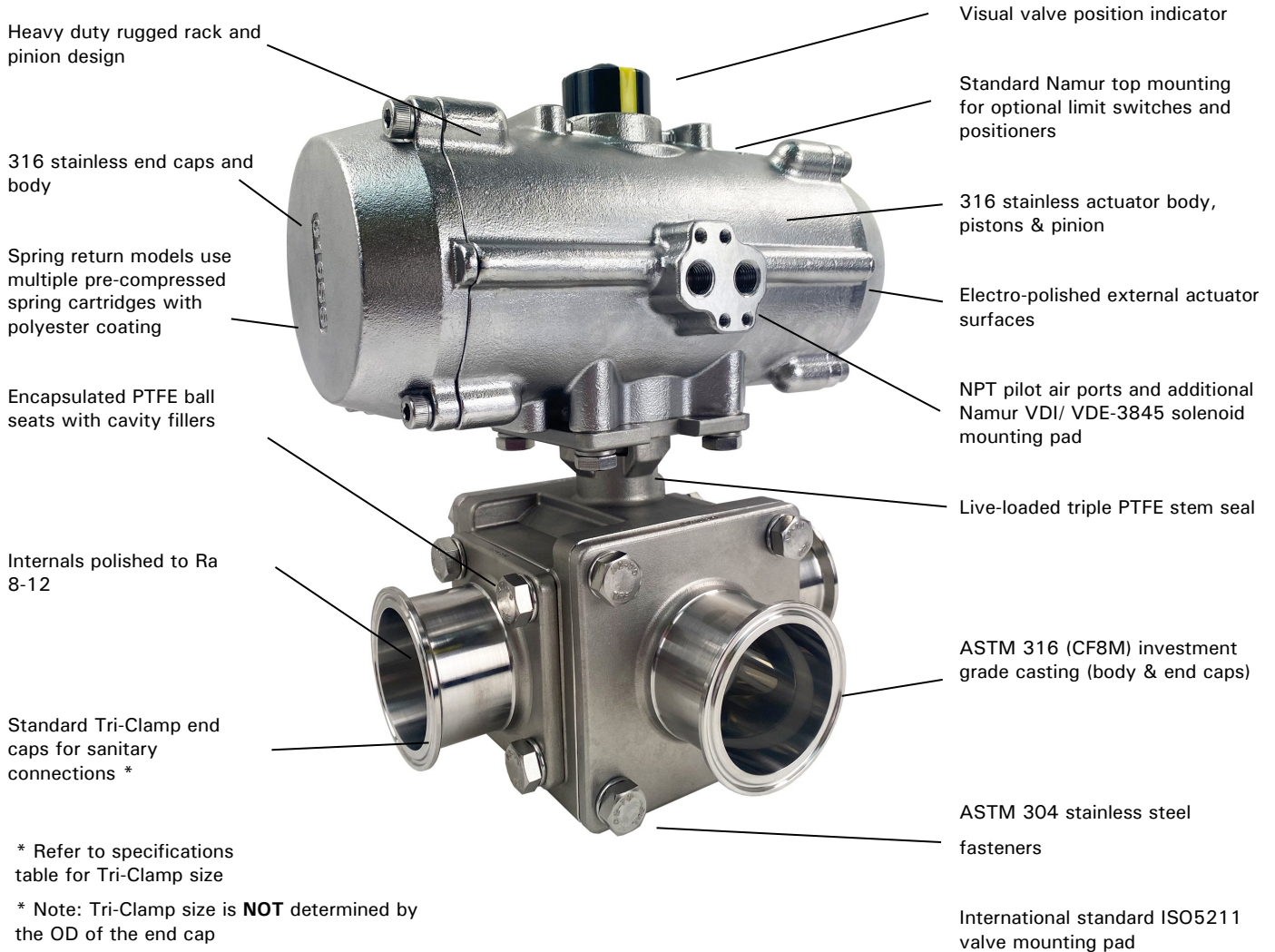
• Pressure Testing:

- MSS-SP82

Optional Accessories

- DMS: Direct Mount Solenoid
- pilot to electrically operate the ball valve
- VPS: Valve Position Switches
- limit switches to confirm valve position
- HTB: High Temperature Bracket
- increases media working temperature

Features



Pressure Rating*: 1000 PSI @ 120°F (69 Bar*) (Max Shell Pressure)

Air Pilot Pressure Required: 80-120 PSI (5.5-8.3 Bar)

Temperature Rating: -50° to 400° F (-45 to 200°C)

*See P/T Chart

Actuator Temperature Rating: -4 to 176° F (-20 to 80° C)

*See P/T chart

Specifications (English units)

Stock Number	Pipe Size (inch)	Tri-Clamp Size (inch)	Cv Flow Factor	Max Shell Pressure (PSI)*	Cycle Time /90° (seconds)	Pilot Air Port (NPT)	Air Volume/ 90° (cubic inches)
Valve with Spring Return Actuator							
576300	1/2	3/4	3	1000	1	1/4	12.2
576301	3/4	3/4	9	1000	1	1/4	12.2
576302	1	1-1/2	21	1000	1	1/4	12.2
576303	1-1/2	1-1/2	61	1000	1	1/4	24.4
576304	2	2	138	1000	3	1/4	54.9
576305	2-1/2	2-1/2	229	1000	3	1/4	54.9
Valve with Double Acting Actuator							
576200	1/2	3/4	3	1000	1	1/4	12.2
576201	3/4	3/4	9	1000	1	1/4	12.2
576202	1	1-1/2	21	1000	1	1/4	12.2
576203	1-1/2	1-1/2	61	1000	1	1/4	24.4
576204	2	2	138	1000	1	1/4	24.4
576205	2-1/2	2-1/2	229	1000	1	1/4	54.9
576206	3	3	357	1000	3	1/4	97.6

Cv= The GPM of water at 60° F that will pass through the valve with 1 PSI pressure drop

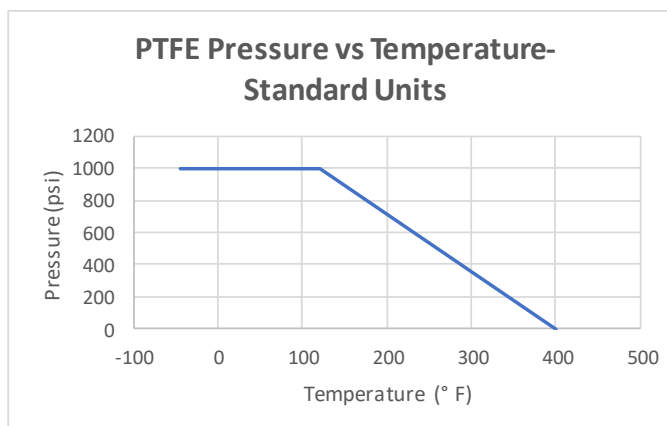
*Maximum Shell Pressure @ -50° to 400° F (reduced pressure at higher temperatures—see P/T chart)

• Torque at 1000 PSI and 72°F

Pressure/Temperature Chart (PSI/°F)

Standard Units

Temp °F	-45	120	400
Pressure	1000	1000	0



Specifications (Metric units)

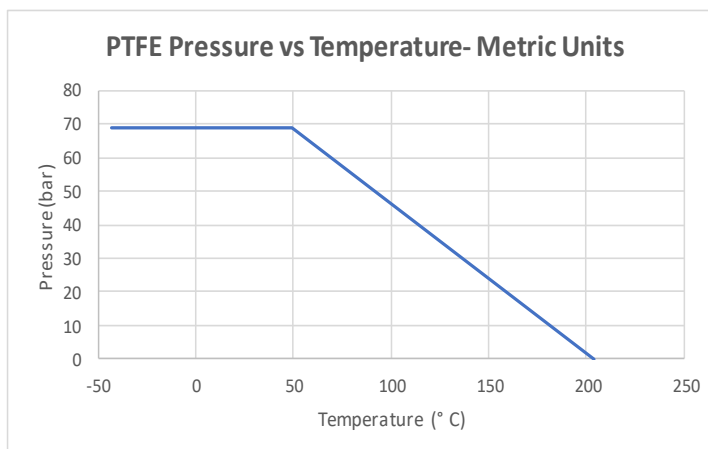
Stock Number	Pipe Size (mm)	Tri-Clamp Size (inch)	Kv Flow Factor	Max Shell Pressure (Bar)*	Cycle Time/90° (seconds)	Pilot Air Port (NPT)	Air Volume/90° (liters)
VALVE WITH SPRING RETURN ACTUATOR							
576300	12.7	3/4	2.6	69	1	1/4	0.2
576301	19.1	3/4	7.8	69	1	1/4	0.2
576302	25.4	1-1/2	18.1	69	1	1/4	0.2
576303	38.1	1-1/2	52.6	69	1	1/4	0.4
576304	50.8	2	119.0	69	3	1/4	0.9
576305	63.5	2-1/2	197.4	69	3	1/4	0.9
VALVE WITH DOUBLE ACTING ACTUATOR							
576200	12.7	3/4	2.6	69	1	1/4	0.2
576201	19.1	3/4	7.8	69	1	1/4	0.2
576202	25.4	1-1/2	18.1	69	1	1/4	0.2
576203	38.1	1-1/2	52.6	69	1	1/4	0.4
576204	50.8	2	119.0	69	1	1/4	0.4
576205	63.5	2-1/2	197.4	69	1	1/4	0.9
576206	76.2	3	307.7	69	3	1/4	1.6

* Maximum Shell Pressure range @ -20° to 150° C (reduced pressure for higher temperatures—see P/T chart)

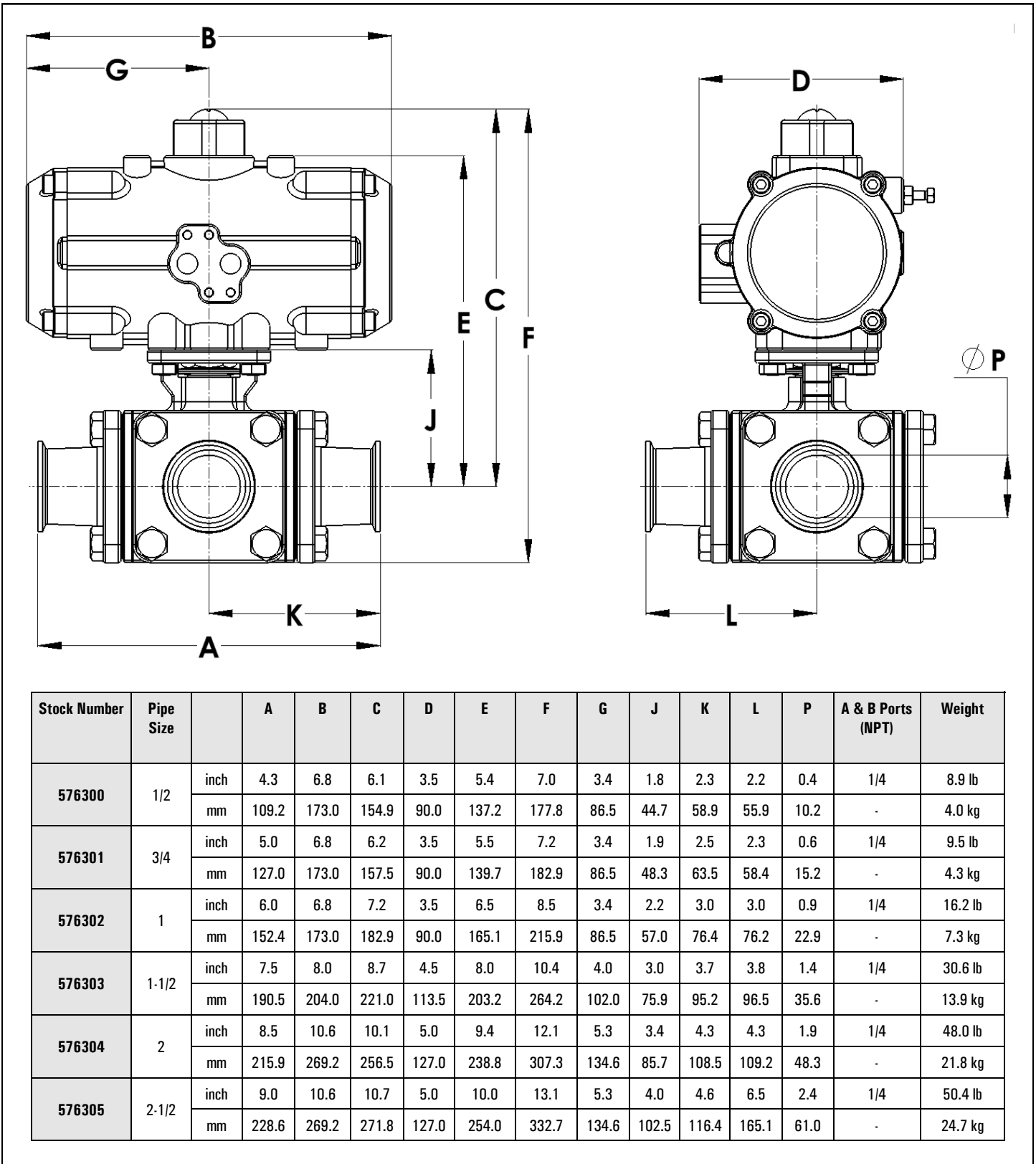
Pressure/Temperature Chart (Bar/°C)

Metric Units

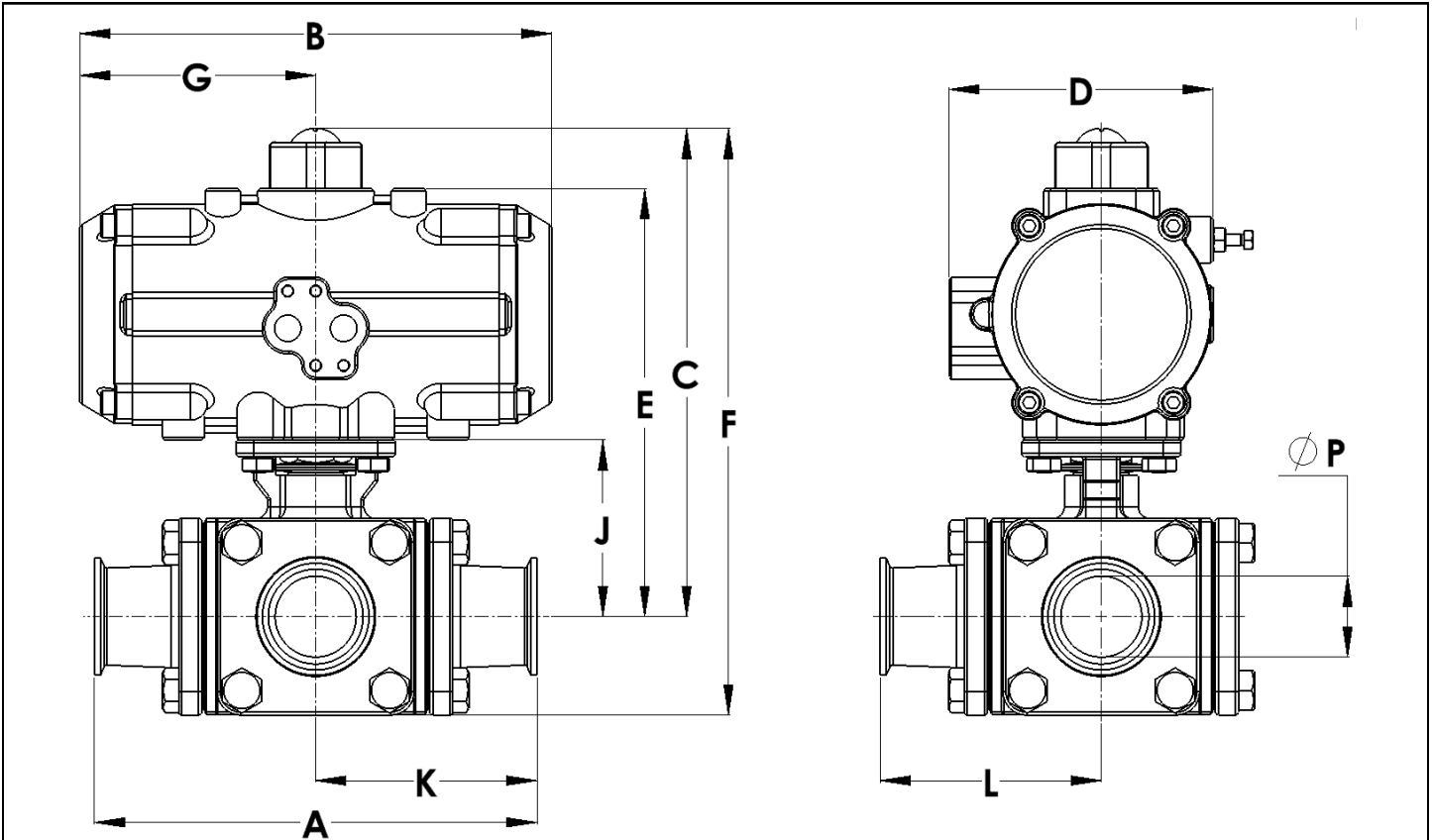
Temp °C	-43	49	204
Pressure	69	69	0



Dimensions: Spring Return



Dimensions: Double Acting



Stock Number	Pipe Size		A	B	C	D	E	F	G	J	K	L	P	A & B Ports (NPT)	Weight
576200	1/2	inch	4.3	6.8	6.1	3.5	5.4	7.0	3.4	1.8	2.3	2.2	0.4	1/4	8.9 lb
		mm	109.2	173.0	154.9	90.0	137.2	177.8	86.5	44.7	58.9	55.9	10.2	-	4.0 kg
576201	3/4	inch	5.0	6.8	6.2	3.5	5.5	7.2	3.4	1.9	2.5	2.3	0.6	1/4	9.5 lb
		mm	127.0	173.0	157.5	90.0	139.7	182.9	86.5	48.3	63.5	58.4	15.2	-	4.3 kg
576202	1	inch	6.0	6.8	6.5	3.5	5.8	7.8	3.4	2.2	3.0	3.0	0.9	1/4	12.7 lb
		mm	152.4	173.0	165.1	90.0	147.3	198.1	86.5	57.0	76.4	76.2	22.9	-	5.8 kg
576203	1-1/2	inch	7.5	8.0	8.7	4.5	8.0	10.4	4.0	3.0	3.7	3.8	1.4	1/4	30.6 lb
		mm	190.5	204.0	221.0	113.5	203.2	264.2	102.0	75.9	95.2	96.5	35.6	-	13.9 kg
576204	2	inch	8.5	8.0	9.1	4.5	8.4	11.1	4.0	3.4	4.3	4.3	1.9	1/4	39.0 lb
		mm	215.9	204.0	231.1	113.5	213.4	281.9	102.0	85.7	108.5	109.2	48.3	-	17.7 kg
576205	2-1/2	inch	9.0	10.6	10.7	5.0	10.0	13.1	5.3	4.0	4.6	6.5	2.4	1/4	46.8 lb
		mm	228.6	269.2	271.8	127.0	254.0	332.7	134.6	102.5	116.4	165.1	61.0	-	21.2 kg
576206	3	inch	12.0	11.9	12.3	5.7	11.6	15.3	5.9	4.7	6.1	6.0	2.9	1/4	103.8 lb
		mm	304.9	302.3	312.4	144.8	294.6	388.6	149.9	120.0	154.0	152.4	73.7	-	47.1 kg